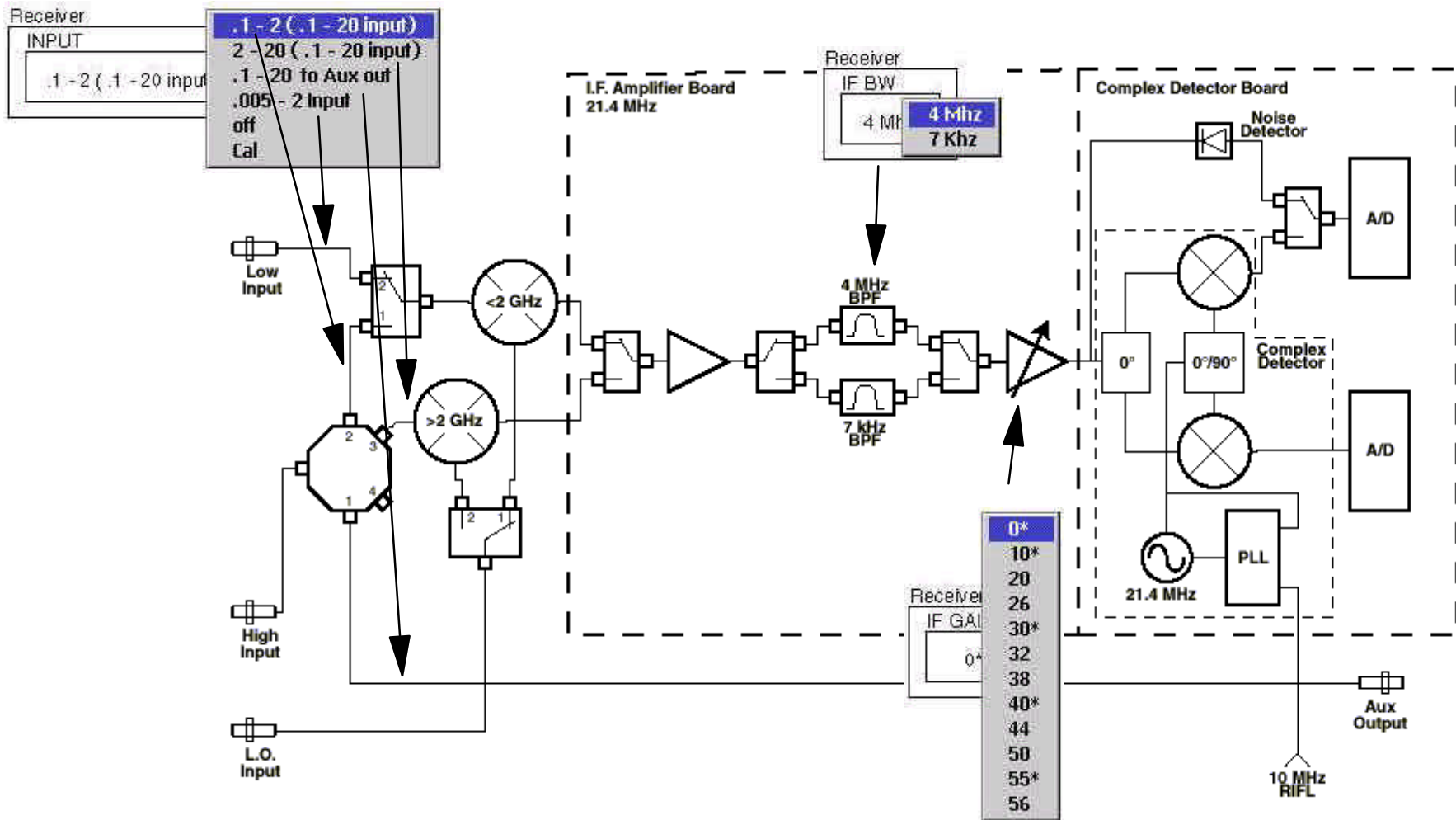


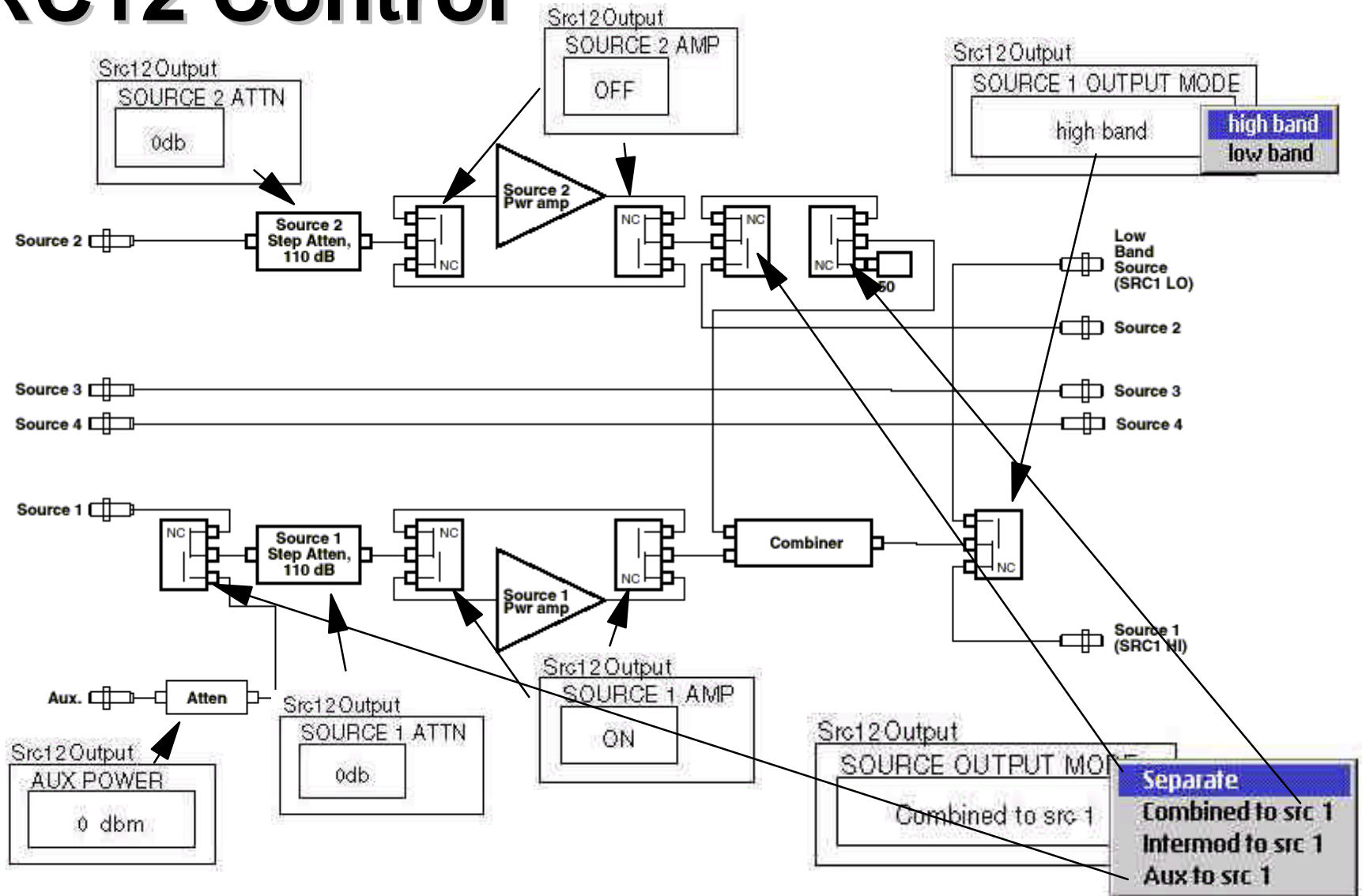


Receiver Control



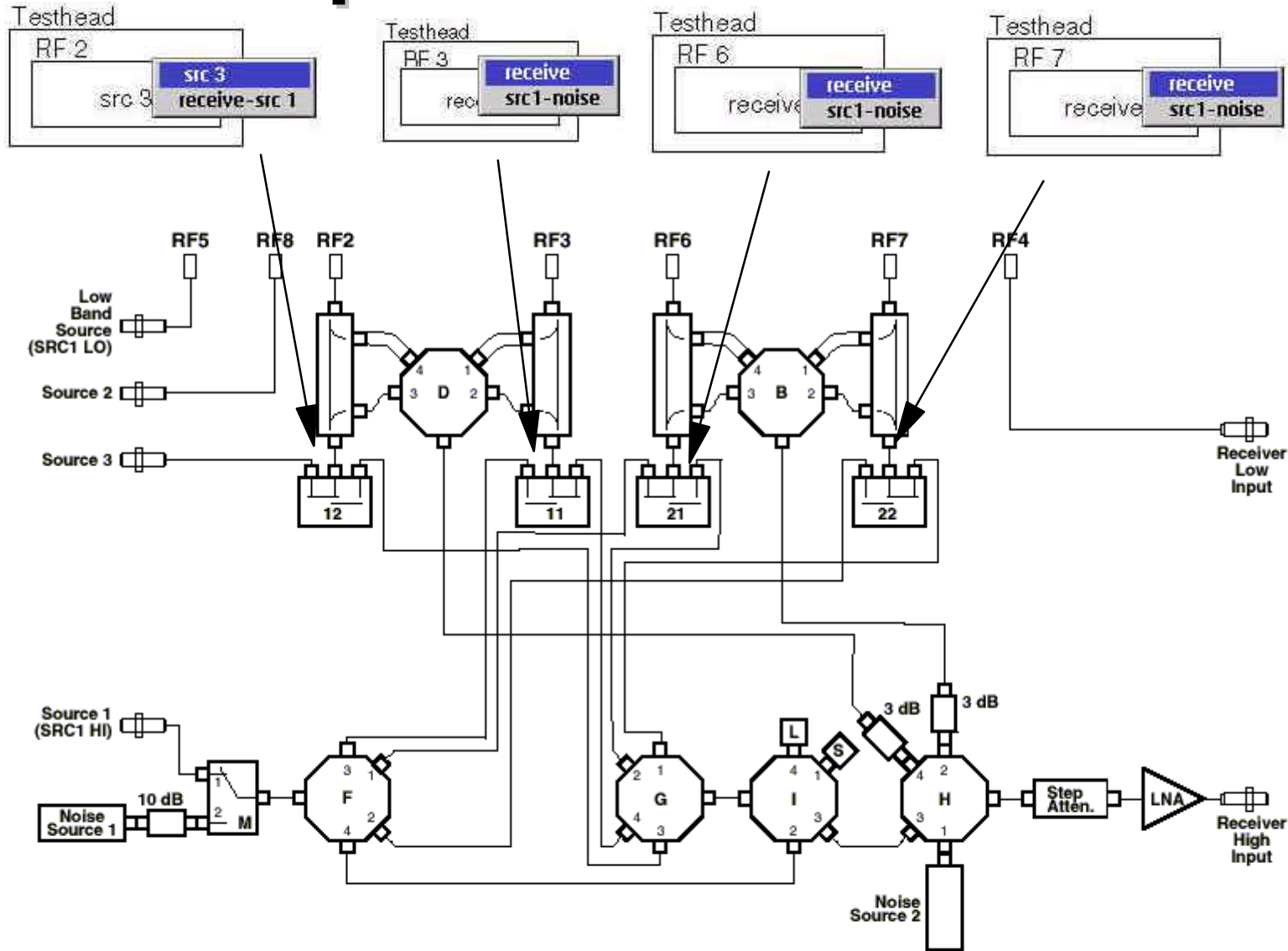


SRC12 Control



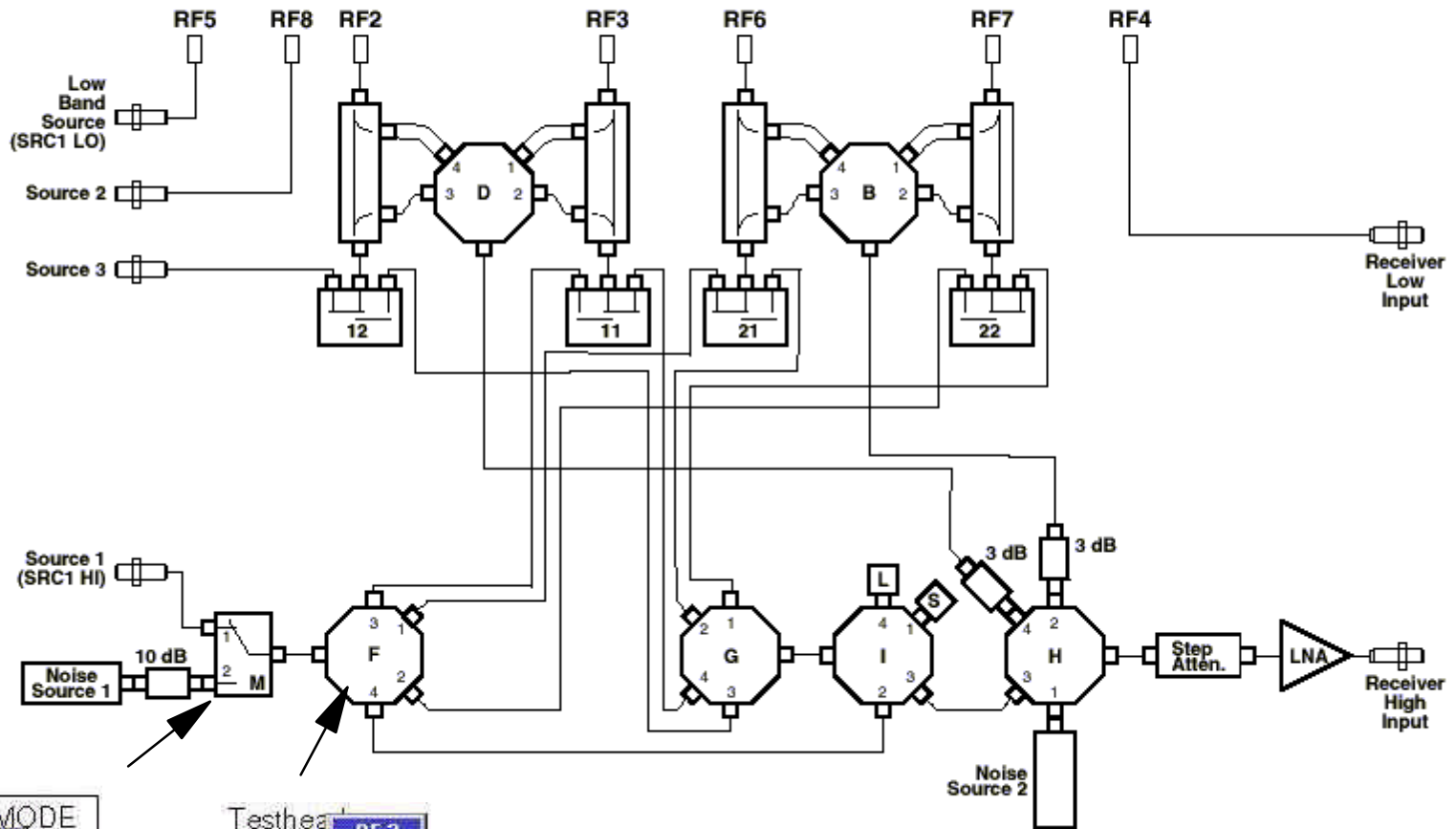


Port Set-Up





Stimulus



Testhead

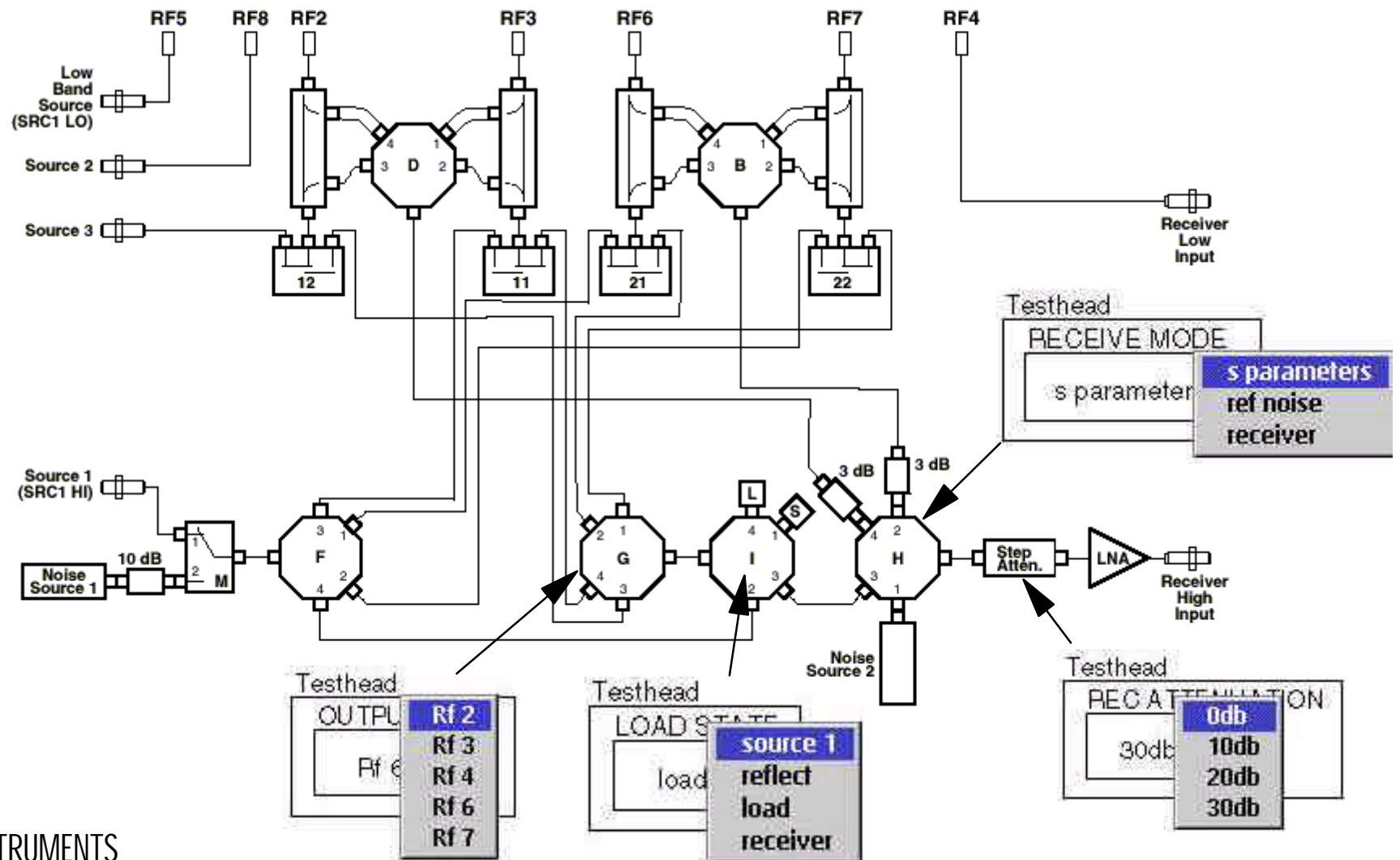
SOURCE 1 MODE
source
noise

Testhead

RF 2
RF 3
RF 5
RF 6
RF 7
Load



Receive





Sampled Waves

