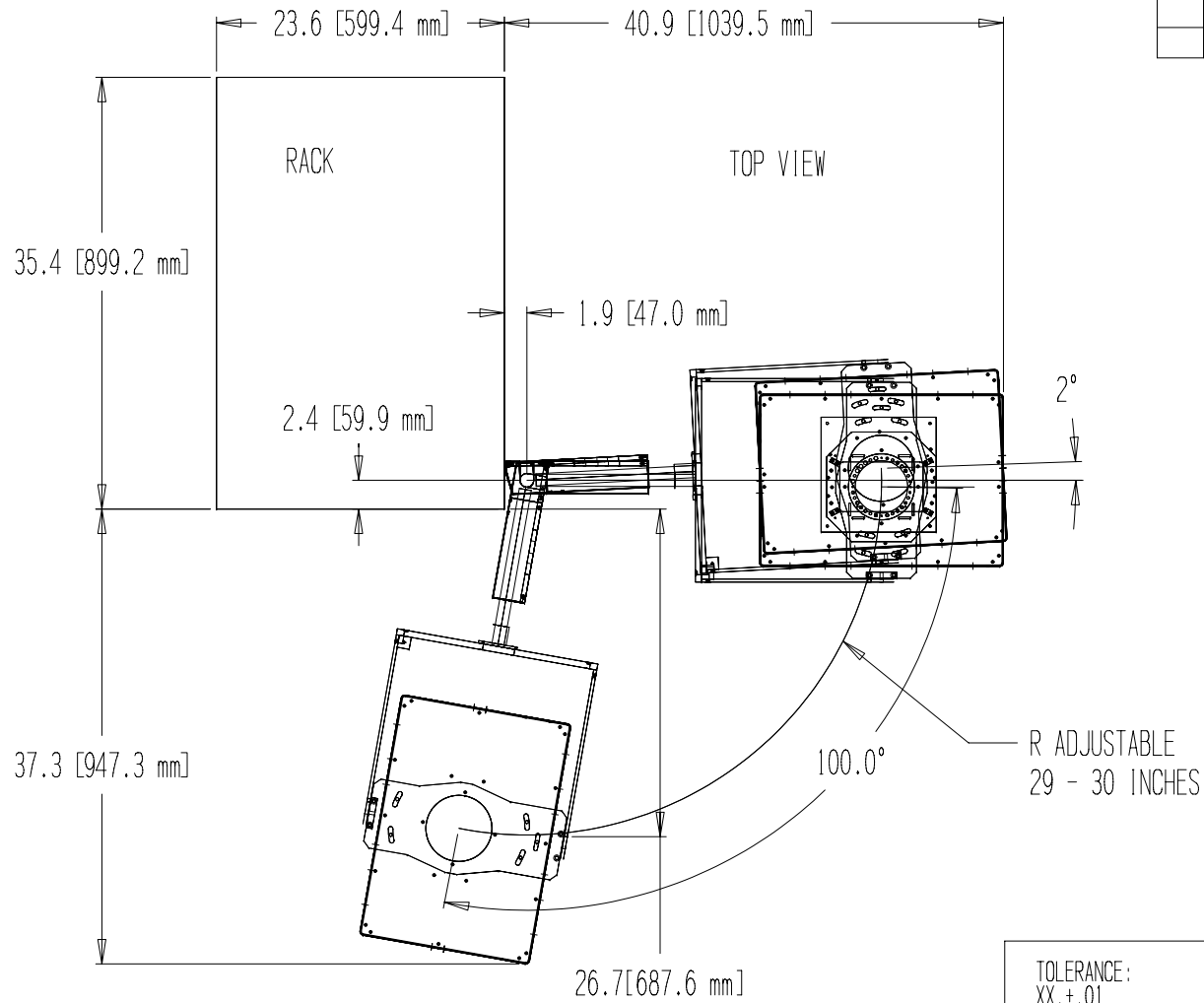


REVISIONS			
REV	DESCRIPTION	DATE	APPROVED
A	INITIAL RELEASE	2/3/05	JM



TOLERANCE: XX ± .01 XXX ± .005 MACHINED SURFACES 63	ROOS INSTRUMENTS	
	SYSTEM OUTLINE TOP VIEW	
RI CONFIDENTIAL AND PRIVILEGED INFORMATION	RI DWG# ORACKOUTLINE	RI P/N W1MFCTCA
	LEVEL 11	SHEET 1