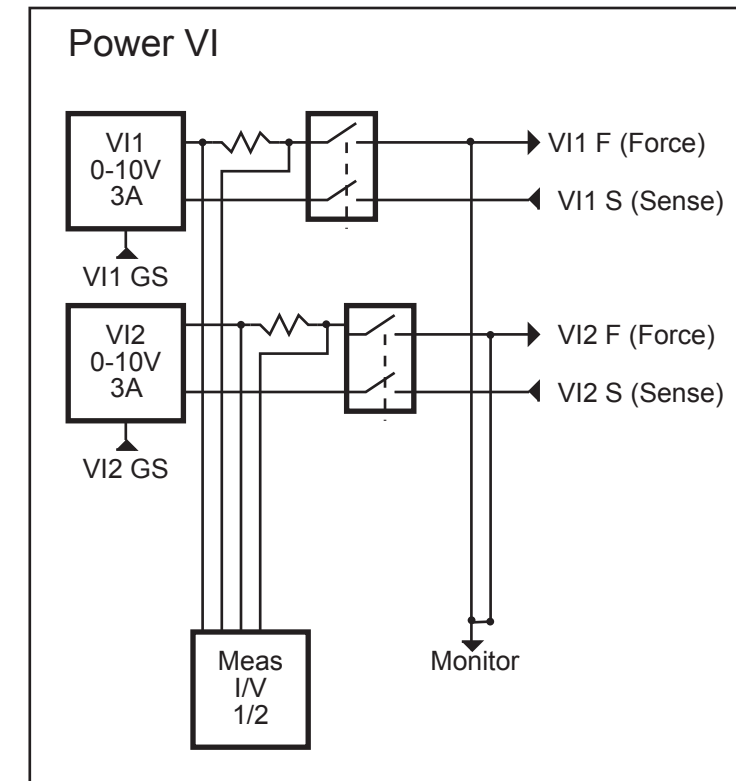
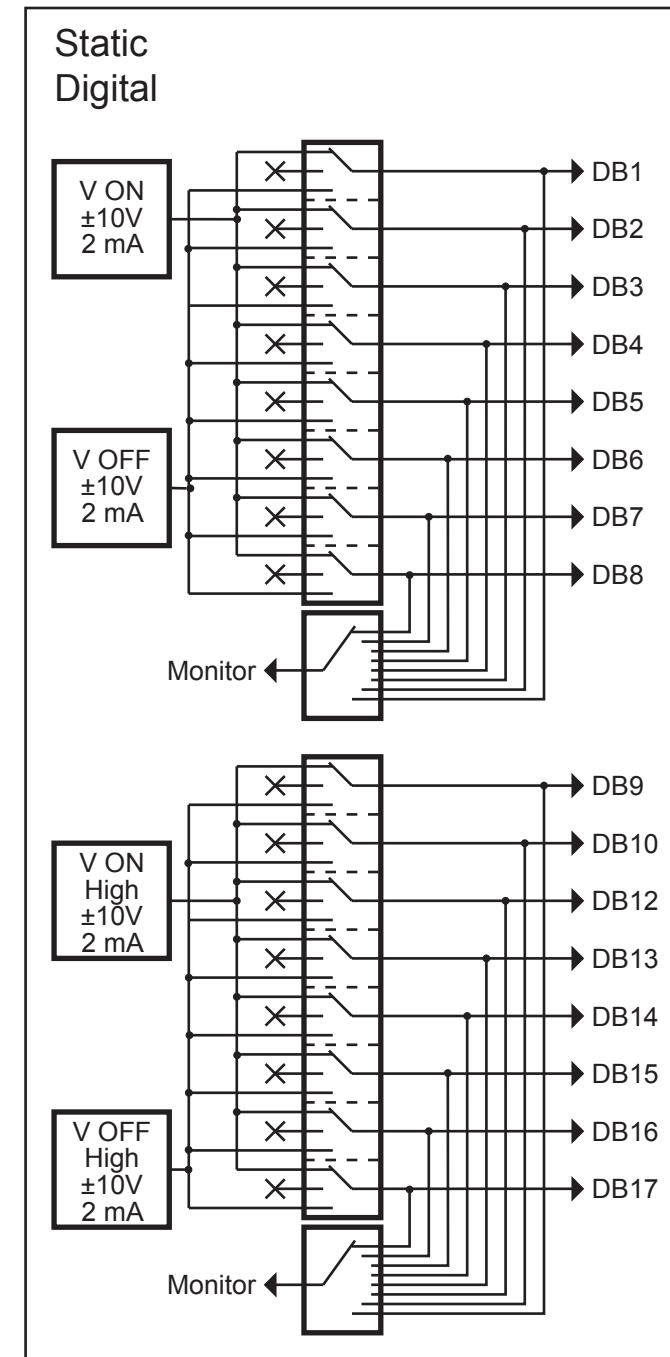
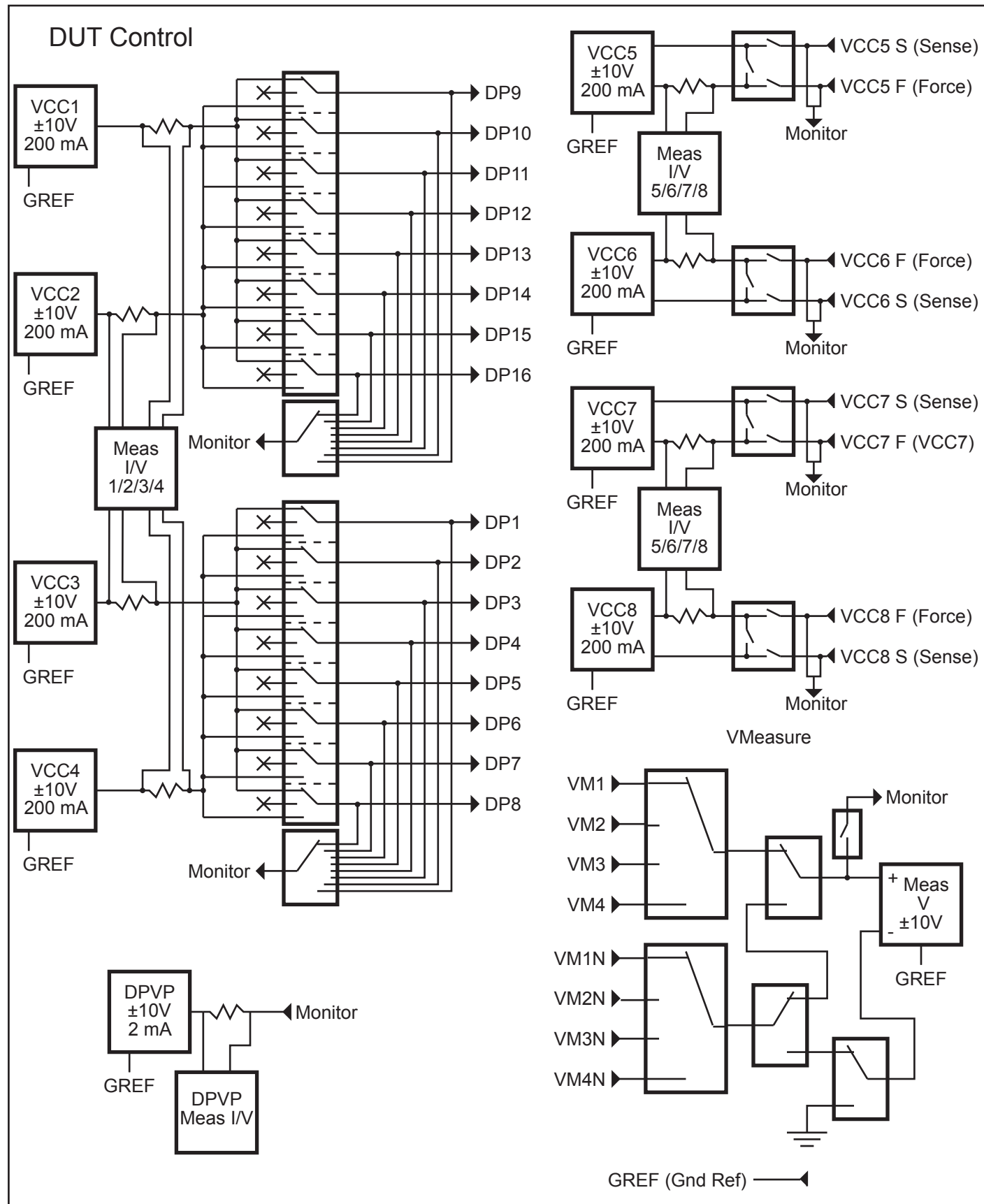


Notes:  
 1) GS are the ground references. They should be grounded at the DUT.  
 2) VI RTN are the high current return for VIs.  
 They should be grounded at the DUT with heavy wire.  
 4) Values are for reference only.  
 Refer to specifications for complete performance values.



	1	2	3	4	5	6	7	8	9	10
A	RTN	DB1	DB2	DB3	DB4	DB5	DB6	DB7	DB8	RTN
B	RTN	DB9	DB10	DB11	DB12	DB13	DB14	DB15	DB16	RTN
C	RTN	GS	VM4N	VM3N	VM2N	VM1N	VM4	VM3	VM2	VM1
D	V5-8 GS	VCC5 F	VCC5 S	VCC6 F	VCC6 S	VCC7 F	VCC7 S	VCC8 F	VCC8 S	RTN
E	RTN	DP1	DP2	DP3	DP4	DP5	DP6	DP7	DP8	N/A
F	RTN	DP9	DP10	DP11	DP12	DP13	DP14	DP15	DP16	N/A
G										
H	VI1 RTN	VI1 GS	VI1 F	VI1 S	VI1 F	VI2 RTN	VI2 GS	VI2 F	VI2 S	VI2 F
I										

F - Force  
 S - Sense  
 GS - Ground Sense  
 RTN - Return. Note that the return for each row is grounded through that row's PCB assembly.  
 VCC5,6,7,8 - must have V5-8GS at D1 grounded at the DIB

**Top View**