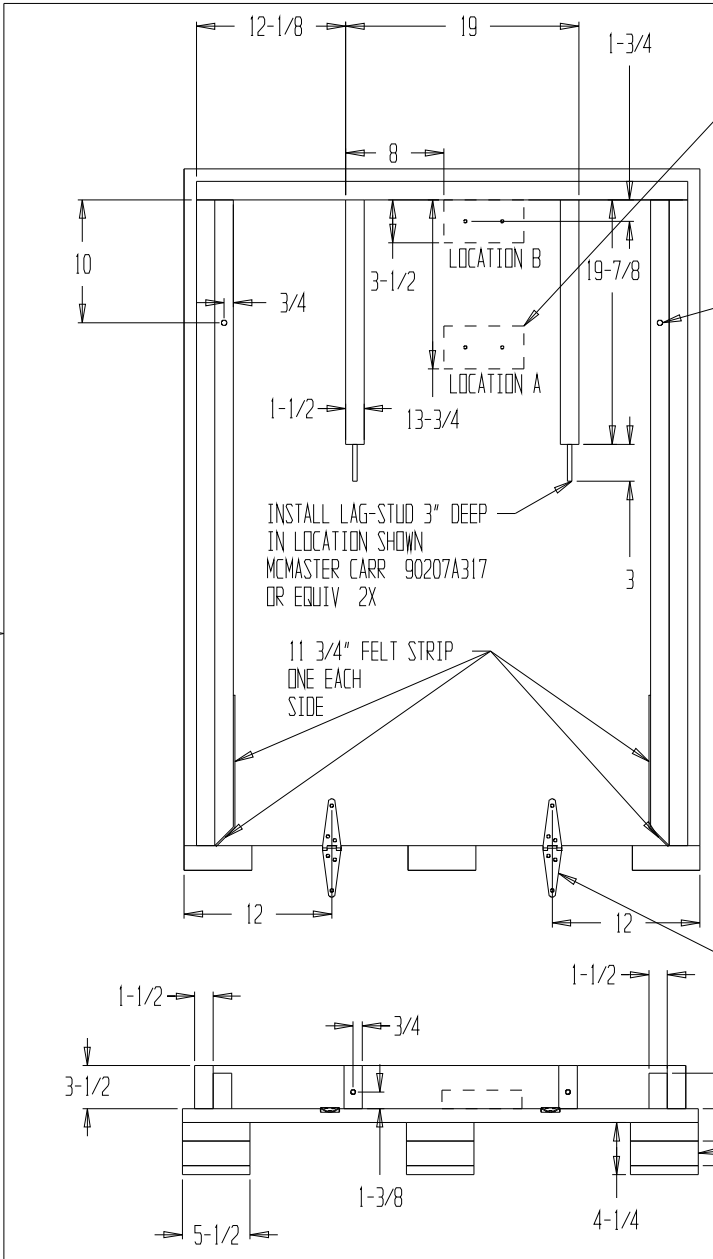
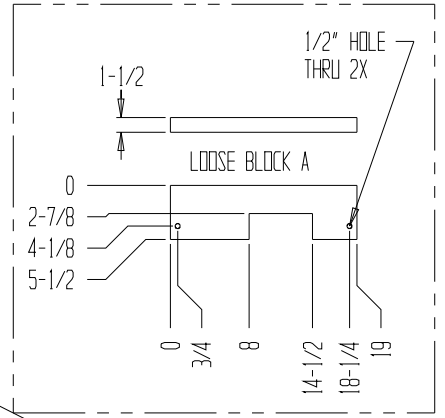
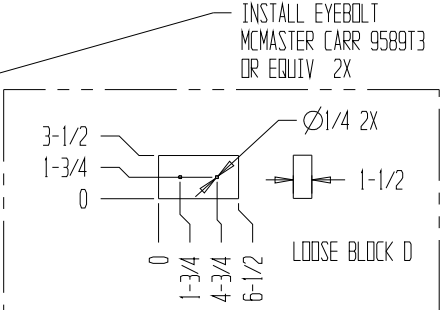


REVISIONS			
REV	DESCRIPTION	DATE	APPROVED
E	SEE SHEET 1 OF 3	1-7-21	RAR

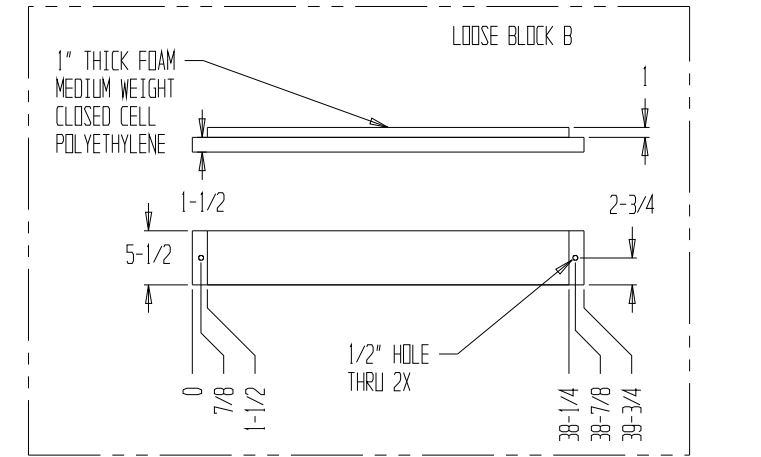
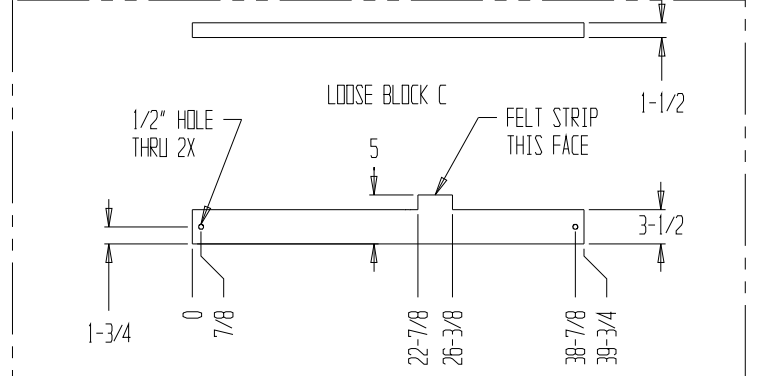


LOOSE BLOCK D:  
INSTALL IN "LOCATION A" USING  
MCMASTER CARR # 95526A175  
OR EQUIV LAG BOLTS  
NOTE: BLOCK D MAY NEED TO BE MOVED (BY PACKER)  
TO "LOCATION B" FOR SHIPPING OLDER TESTERS  
THAT HAVE A LONGER "LEG"



HINGES ARE MCMASTER CARR # 1526A71  
OR EQUIV 2X

2" THICK FOAM  
MEDIUM WEIGHT  
CLOSED CELL  
POLYETHYLENE  
3X



DIMENSIONS ARE  
IN INCHES  
FRACTIONAL ± 1/8  
XX ± .13  
XXX ± .125

Roos Instruments

CRATE CASSINI 16

THIRD ANGLE PROJECTION RI P/N W1MFFHHE

RI CONFIDENTIAL AND PRIVILEGED INFORMATION SHEET 3 OF 3