

## Applications

- Radio Systems
- Multi-band Modules
- Frequency Converters
- Precision RFICs

## Overview

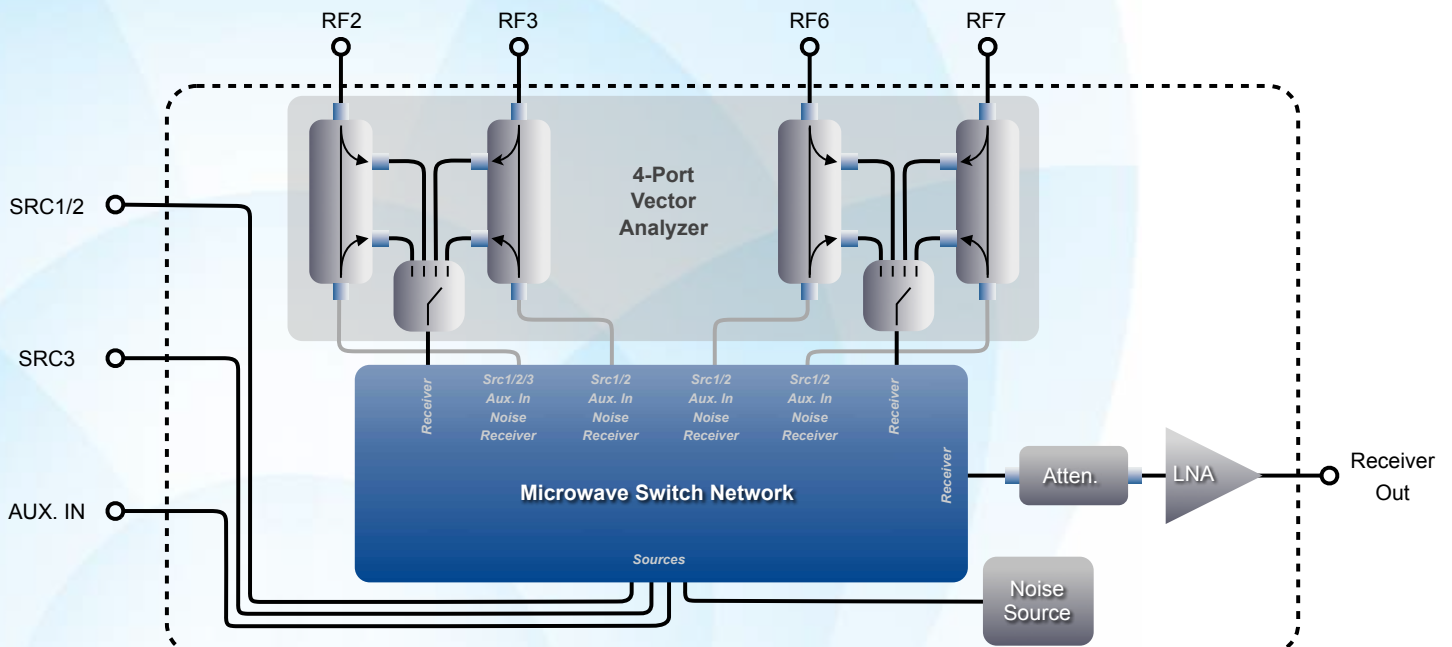
The RI8545 Test Set is the premier microwave instrument for precision power, phase, and vector RF measurements across 0.1 to 20 GHz. The versatile, multi-channel architecture interfaces with a Cassini microwave source and receiver instrument to create a 4-port, vector analyzer with enhanced dynamic range and pin resource switching capability. The instrument enables calibrated and error-corrected 2 or 4 port s-parameters, signal power and harmonic measurement, noise figure, and distortion test with the highest in-class test performance available.



## Key Features

- *Measure Noise Figure, P1dB, Absolute Power, & Phase Noise*
- *NIST Calibrated Noise Source & Error Correction*
- *Bilateral 2 & 4 Port S-Parameters*

## Block Diagram



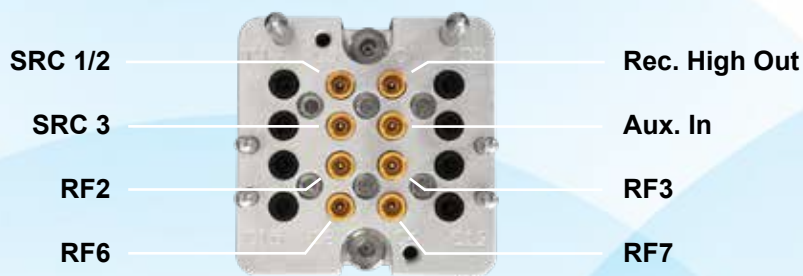
## Performance

### Measurement

Frequency Range	0.1 GHz to 20 GHz
Signal Power Range <sup>1</sup>	-120 dBm to +30 dBm
Noise Source ENR	+18dB @ 2GHz
Power Accuracy <sup>1</sup>	±0.1dB

<sup>1</sup> Typical performance with an RI8587 Receiver

## Inputs/Outputs



## Cassini Test Systems

A versatile, high-speed, automated test solution for analog, mixed-signal, RF, and millimeter-wave devices.

Cassini provides a modular base architecture that is fully configurable via Test Instrument Modules (TIMs) to meet the needs of any IC, wafer, or module test requirement.

Each TIM contains internally-cooled, RF-shielded measurement instrumentation, signal distribution, and blind mate interfacing to provide targeted test resources and integrate to build up a complete production test platform.

Combined with Roos Instruments' integrated test software, Cassini can be configured to any application for maximum performance, true low cost of test, and the industry's fastest test times.

**Roos Instruments**  
2285 Martin Ave.  
Santa Clara, CA 95050  
TEL +1 - 408 - 748 - 8589  
[sales@roos.com](mailto:sales@roos.com)  
[www.roos.com](http://www.roos.com)



ALL PRODUCT, PRODUCT SPECIFICATIONS, AND DATA ARE SUBJECT TO CHANGE WITHOUT NOTICE TO IMPROVE PERFORMANCE, FUNCTION, DESIGN, OR OTHERWISE.  
The information in this publication is, to the best of our knowledge, accurate at the date of publication.