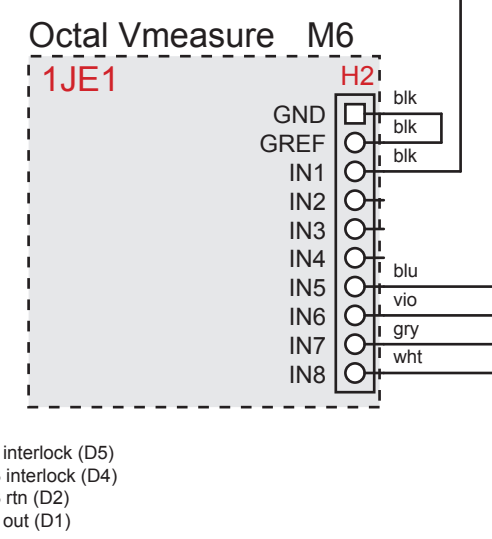
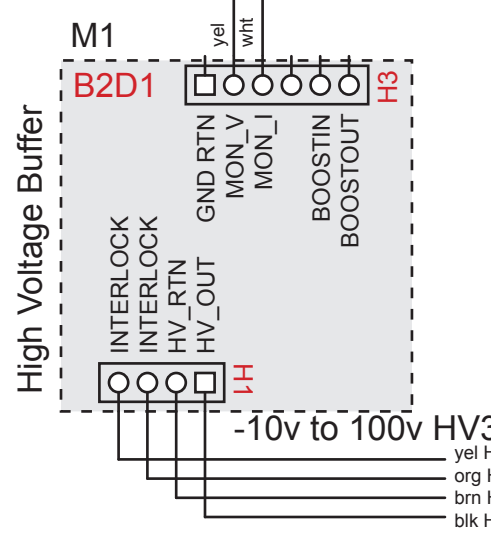
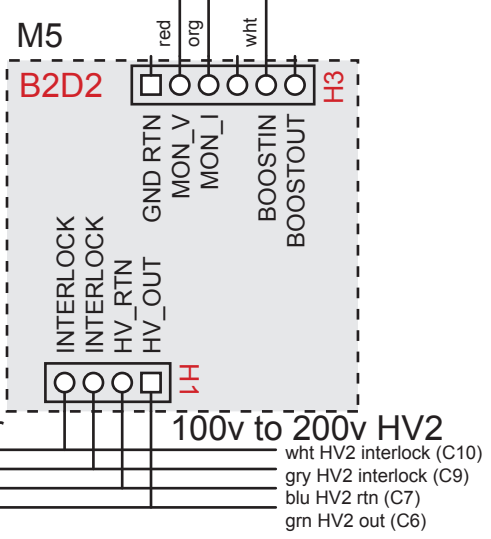
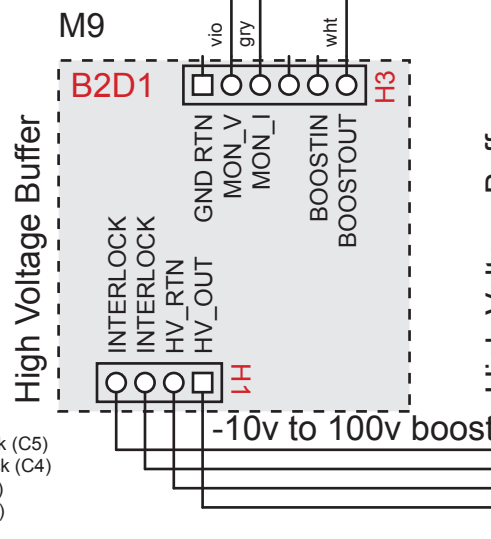
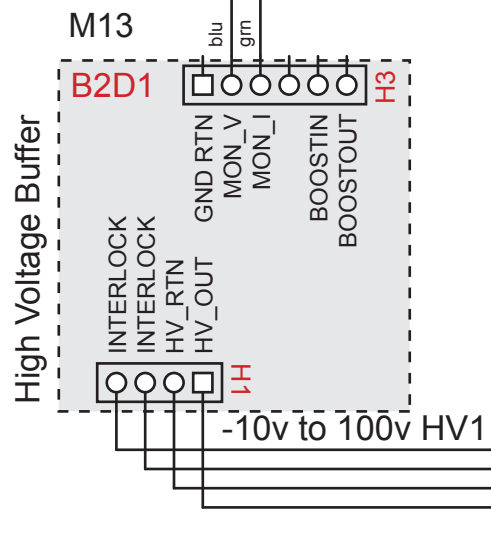
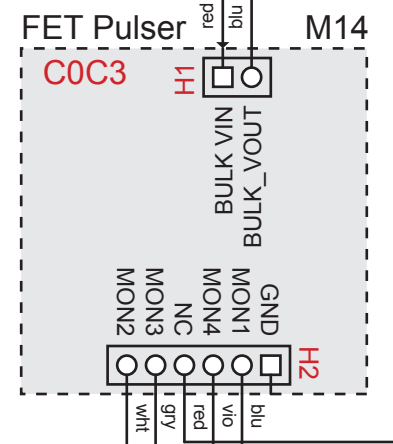
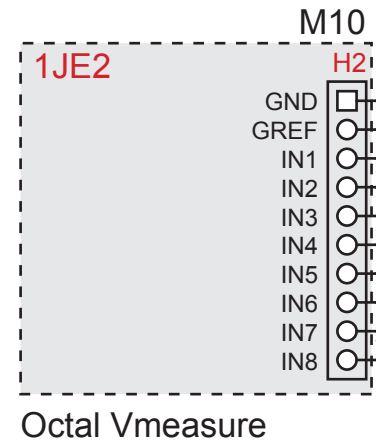
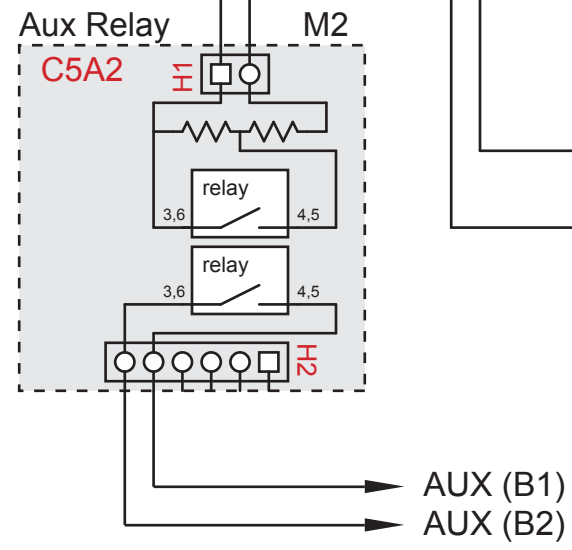
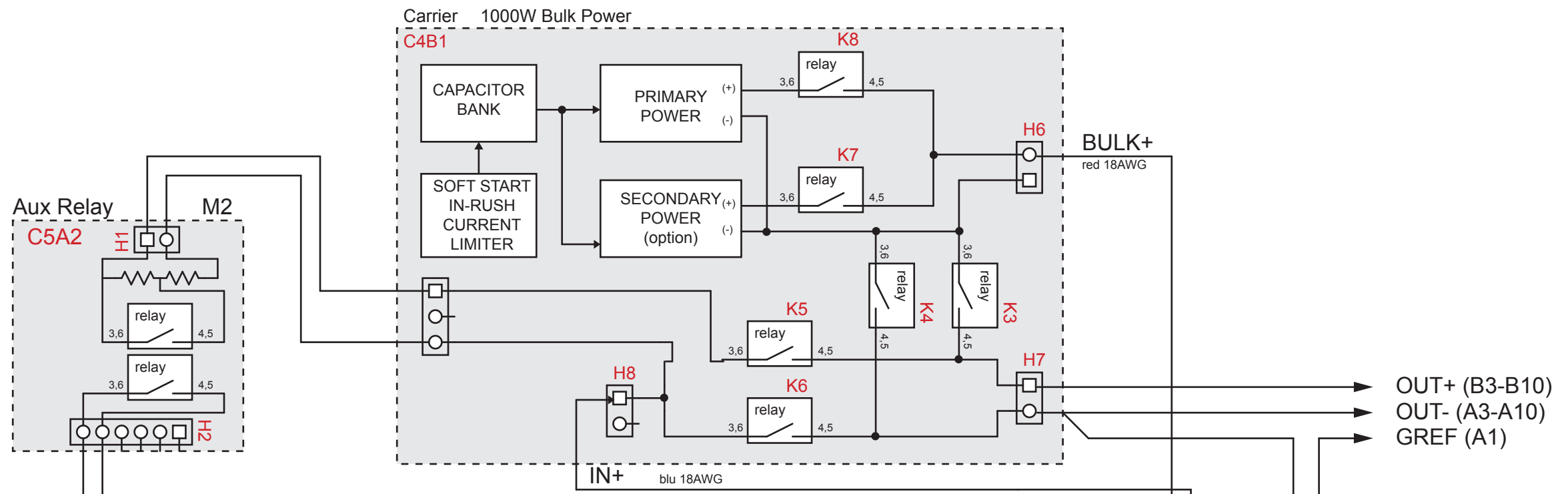
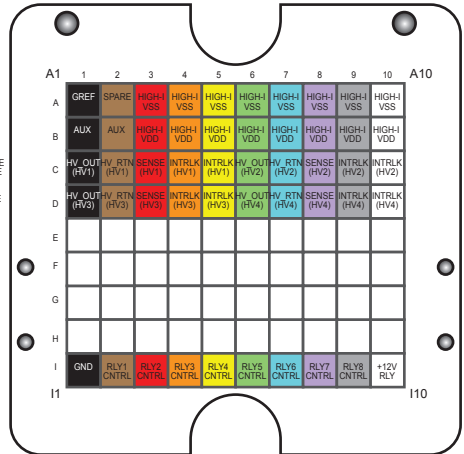


Roos Instruments, Inc - Cassini16
Block Diagram, Bulk Power FET Pulser TIM
RI8589A4

Copyright Roos Instruments, Inc.
 Subject to change without notice
 12-14-2015 rev F



yel HV1 interlock (C5)
 org HV1 interlock (C4)
 brn HV1 rtn (C2)
 blk HV1 out (C1)

wht HV2 interlock (C10)
 gry HV2 interlock (C9)
 blu HV2 rtn (C7)
 grn HV2 out (C6)

yel HV3 interlock (D5)
 org HV3 interlock (D4)
 brn HV3 rtn (D2)
 blk HV3 out (D1)