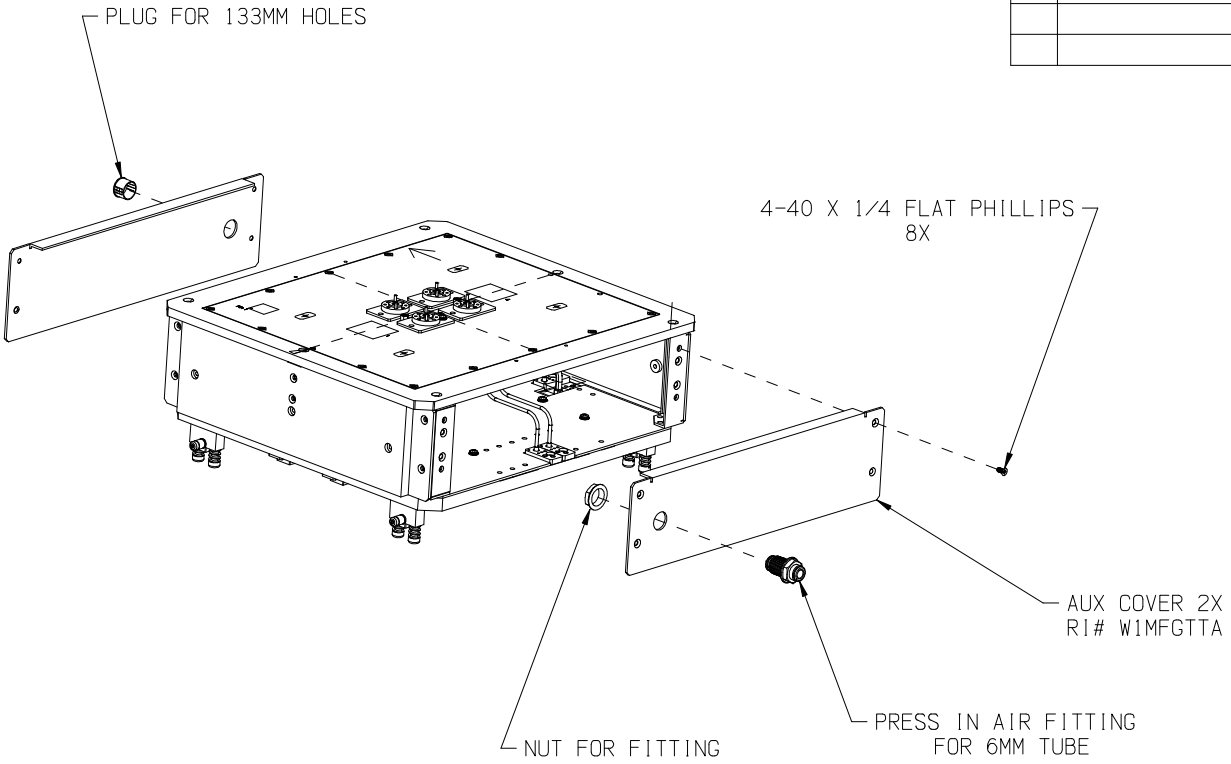
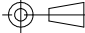


REVISIONS			
REV	DESCRIPTION	DATE	APPROVED
A	INITIAL RELEASE	10-31-22	RAR



Roos Instruments		○
AUX COVERS TOP HAT		
 THIRD ANGLE PROJECTION	RI P/N	R1K0359A
RI CONFIDENTIAL AND PRIVILEGED INFORMATION		SHEET 1 OF 1