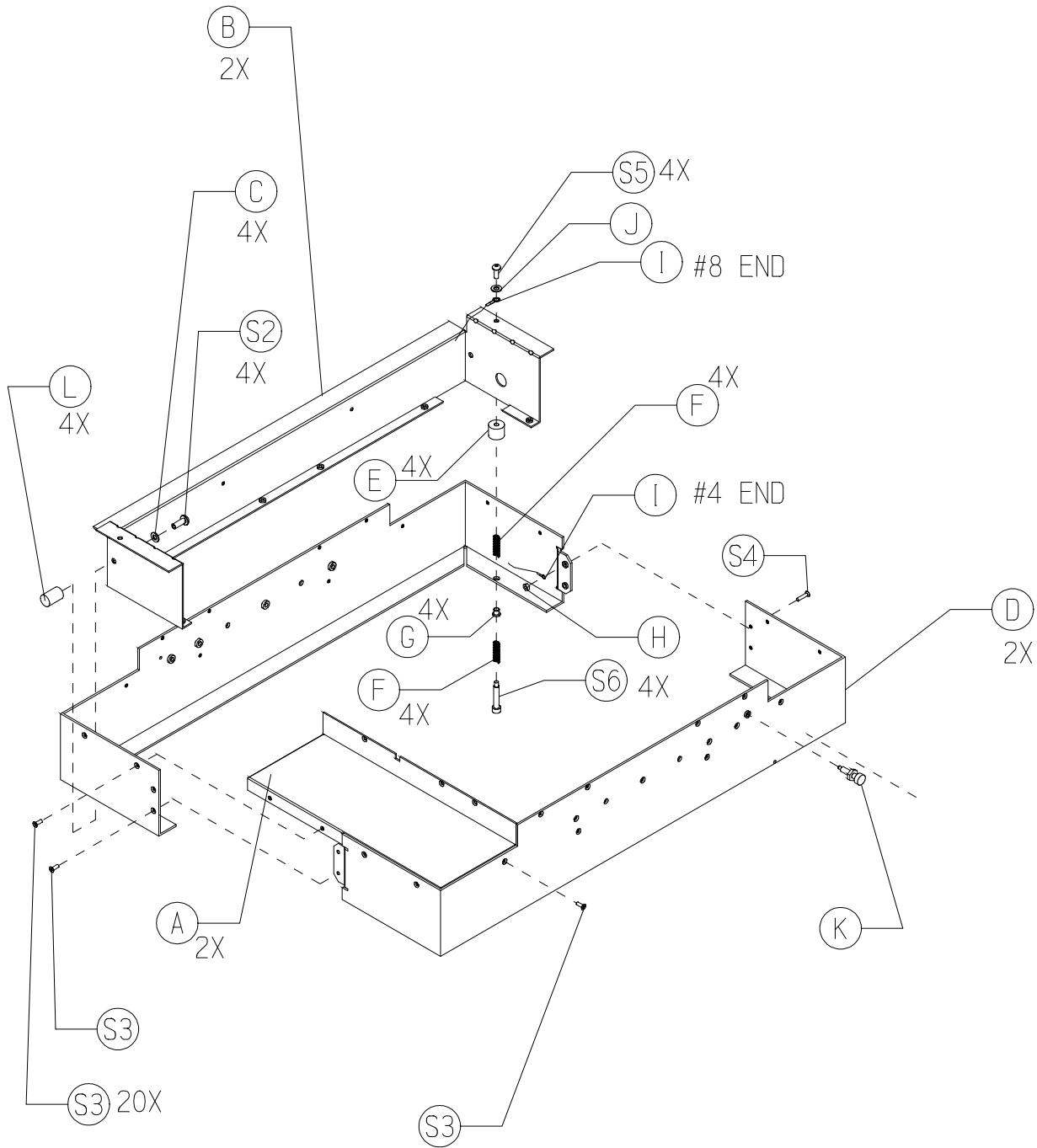


REVISIONS			
REV	DESCRIPTION	DATE	APPROVED
A	INITIAL RELEASE	6-27-12	



ROOS INSTRUMENTS	
RIK0164A ASSY DWG	
RT DWG#	MN46MV6A