

Matrix Fixture Sides for 8 Slot Cassini/7100A  
PN: RIK0159A

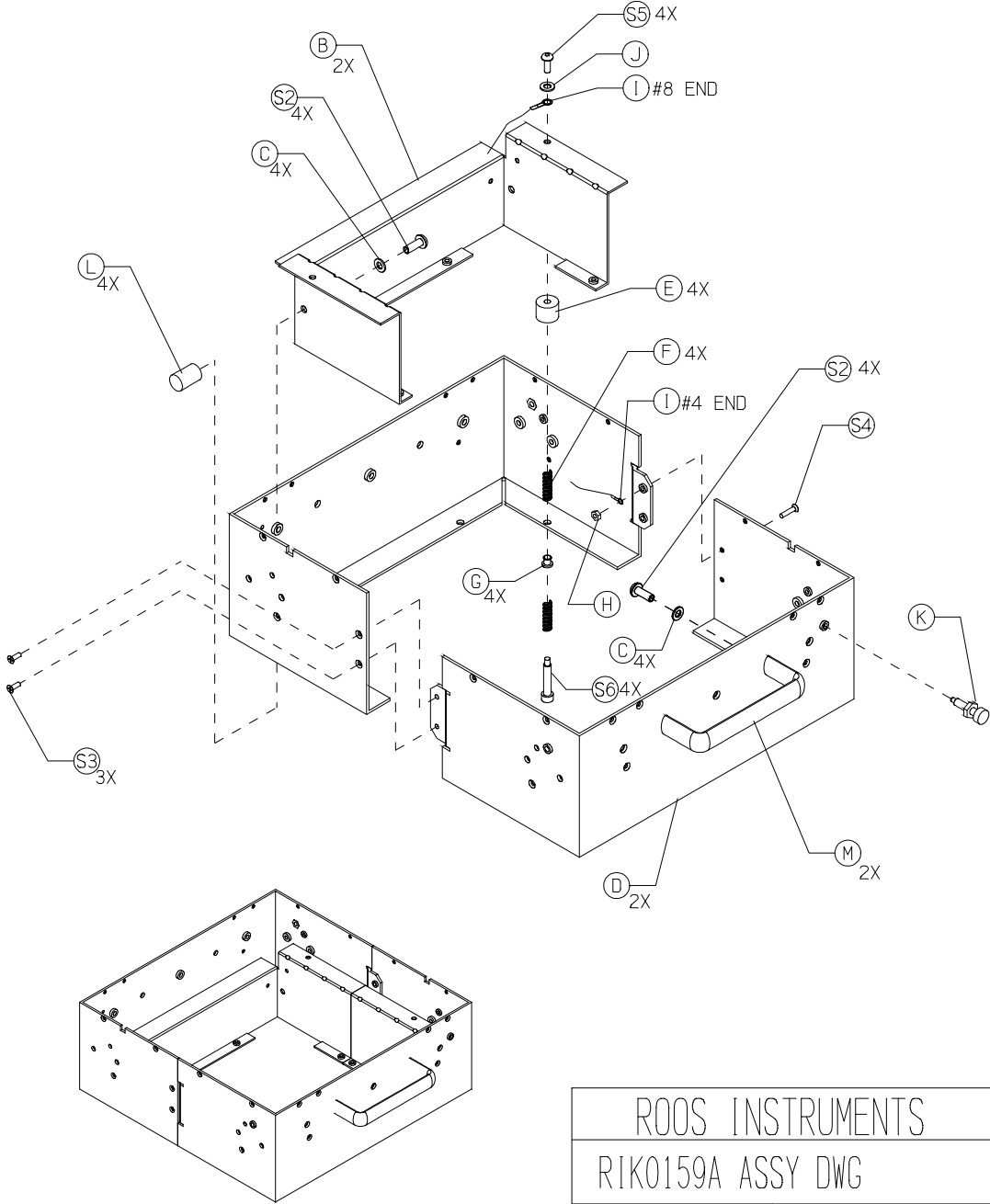
<b>Reference Designator</b>	<b>Quantity</b>	<b>Description</b>
B	2	Cover, Lower Long Fix Dual, 8 Slot
C	8	Washer, Lock #10 Internal Tooth
D	2	Cover Upper Long Fix Dual, 8 Slot
E	4	Sandwich Mount Neoprene, Dia5/8 L1/2 F-F 8-32
F	8	Spring .3OD, .75L .035 Wire
G	4	Nyliner 3/16 Shaft, Plate Thickness .315
H	1	Nut, 4-40 Keps
I	1	Ground Wire 5" (18 AWG)
J	1	Washer, Lock #8 Split
K	1	Knob, Retract, Fixture Top
L	4	Pin Fixture Stop, Dia .50 x .80L 10-32
M	2	Handle 4" Black
S2	8	Screw, Pan Head, 10-32 x 3/8"
S3	48	Screw, Flat Philip, 4-40 x 1/4" 100°
S4	1	Screw, Flat Philip, 4-40 x 7/16" 100°
S5	4	Screw, Button Head, 8-32 x 1/4"
S6	4	Shoulder Screw 8-32 3/16 Dia 1.25L Socket Head

Notes:

- Extra 4-40 x 1/4" Screws are provided for final fixture assembly
- Upper Frame (Reference Designator: D) can be rotated 90° to orient fixture for docking

REVISIONS			
REV	DESCRIPTION	DATE	APPROVED
A	INITIAL RELEASE	6-27-12	

NOTE: OUTER FRAME "D" CAN BE  
ROTATED 90° AS NECESSARY



ROOS INSTRUMENTS	
RIK0159A ASSY DWG	
RT DWG#	MS84Z84A