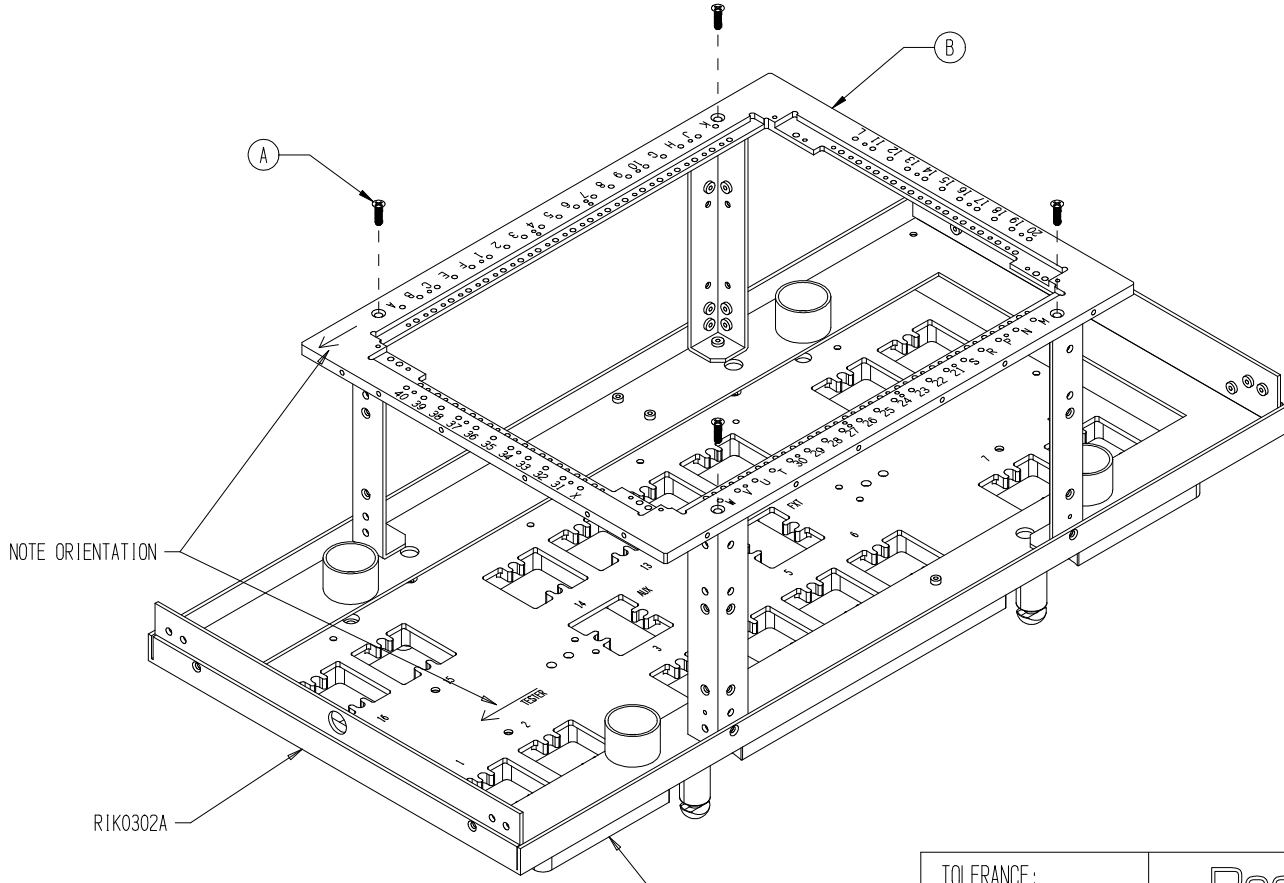


REVISIONS			
REV	DESCRIPTION	DATE	APPROVED
A	INITIAL RELEASE	07-01-21	JC



NOTE ORIENTATION

RIK0302A

RIK0178

TOLERANCE:
 .XX ±.01
 .XXX ±.005
 BEND TO BEND ±.02
 BEND TO HOLE ±.015
 HOLE TO HOLE ±.005
 MACHINED SURFACES 63
 ALL DIMS IN INCHES

Roos Instruments

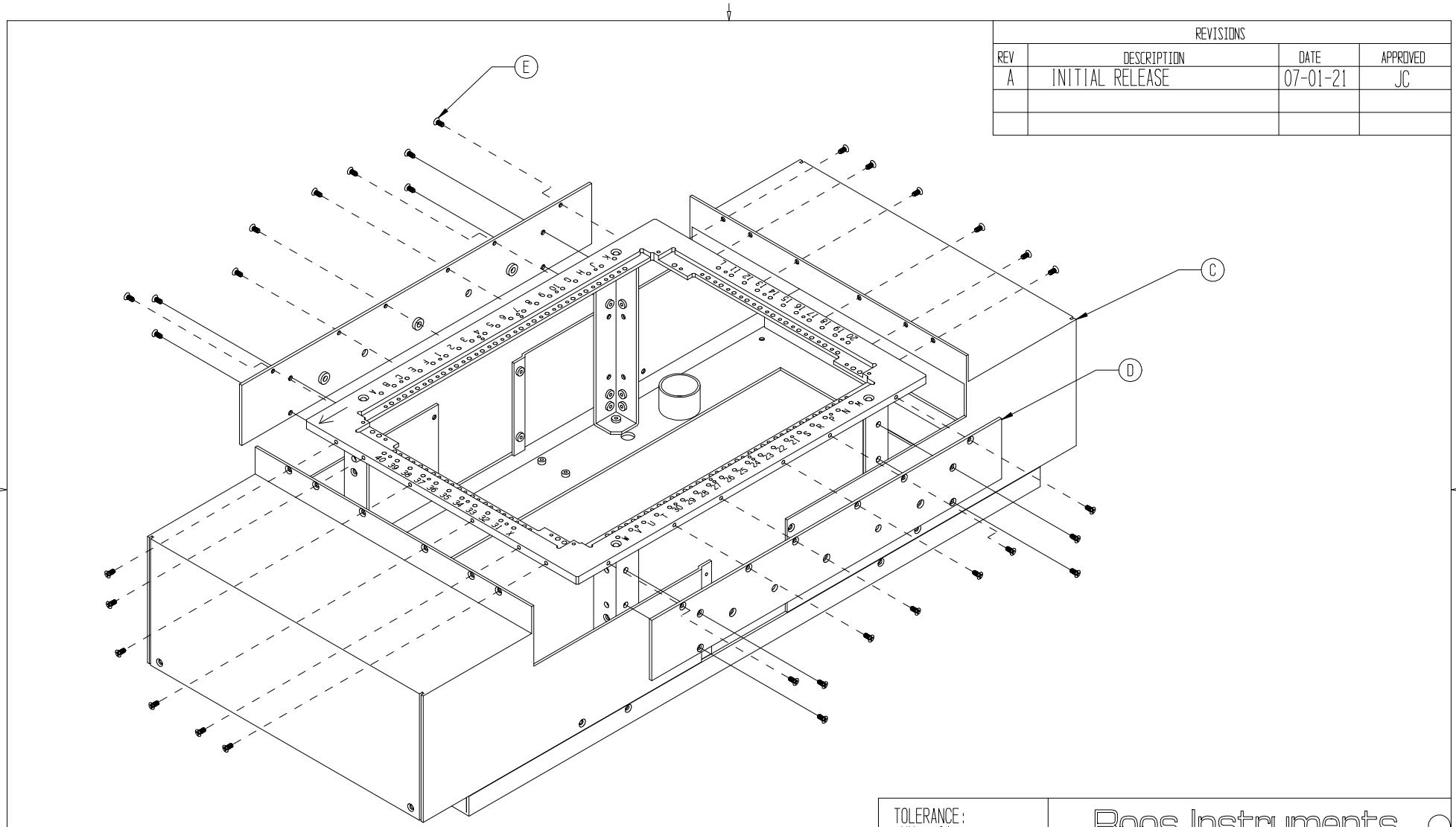
TOP PLATE - COVERS ASSY



THIRD ANGLE PROJECTION

RI P/N MXLXWZ4A

RI CONFIDENTIAL AND PRIVILEGED INFORMATION SHEET 1 OF 3

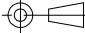


REVISIONS			
REV	DESCRIPTION	DATE	APPROVED
A	INITIAL RELEASE	07-01-21	JC

TOLERANCE:
 .XX ± .01
 .XXX ± .005
 BEND TO BEND ± .02
 BEND TO HOLE ± .015
 HOLE TO HOLE ± .005
 MACHINED SURFACES 63
 ALL DIMS IN INCHES

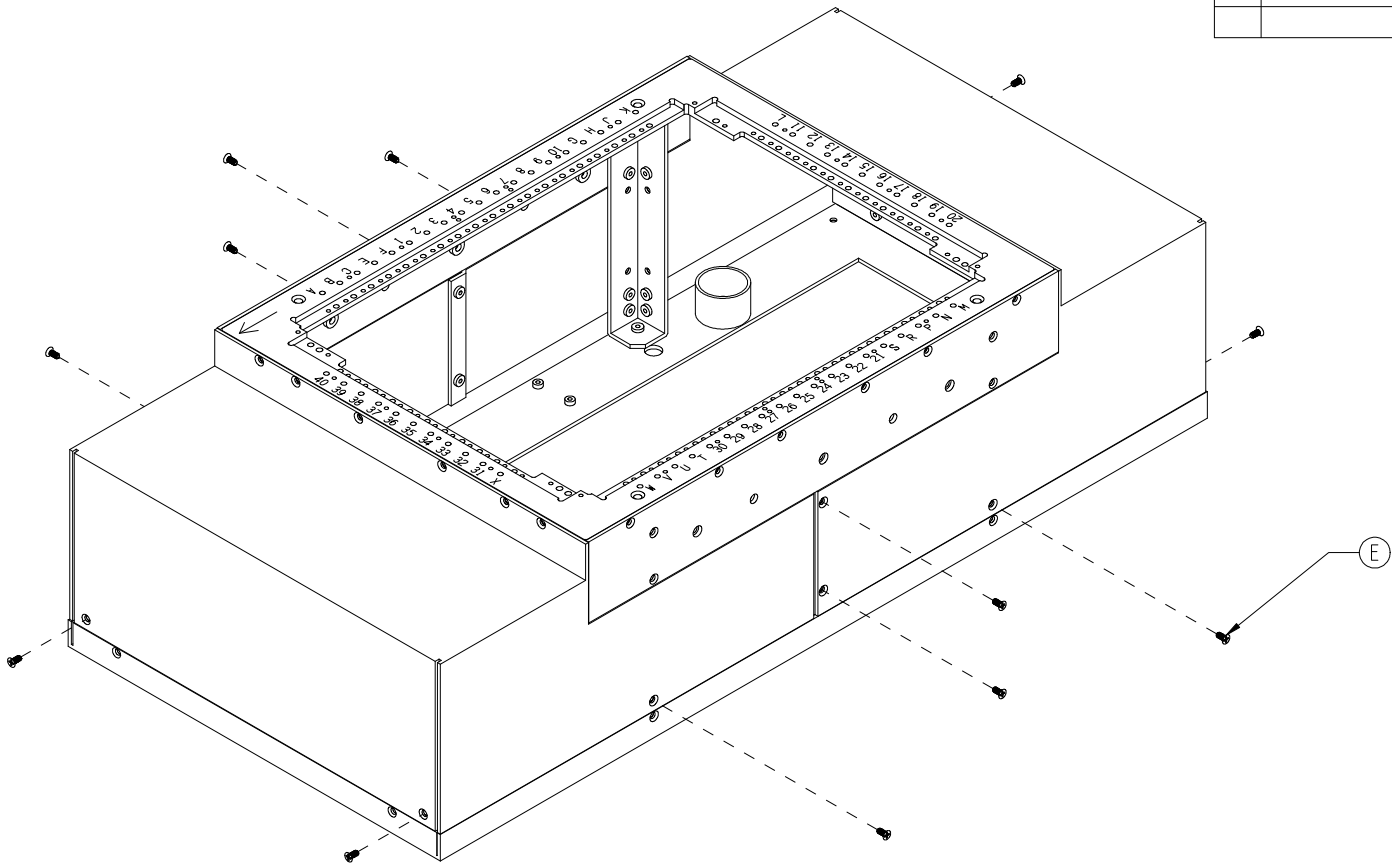
Roos Instruments

TOP PLATE - COVERS ASSY

 THIRD ANGLE PROJECTION
 RI P/N
MXLXWZ4A

RI CONFIDENTIAL AND PRIVILEGED INFORMATION
SHEET 2 OF 3

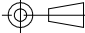
REVISIONS			
REV	DESCRIPTION	DATE	APPROVED
A	INITIAL RELEASE	07-01-21	JC



TOLERANCE:
 .XX ±.01
 .XXX ±.005
 BEND TO BEND ±.02
 BEND TO HOLE ±.015
 HOLE TO HOLE ±.005
 MACHINED SURFACES 63
 ALL DIMS IN INCHES

Roos Instruments

TOP PLATE - COVERS ASSY

 THIRD ANGLE PROJECTION
 RI P/N
MXLXWZ4A

RI CONFIDENTIAL AND PRIVILEGED INFORMATION
SHEET 3 OF 3