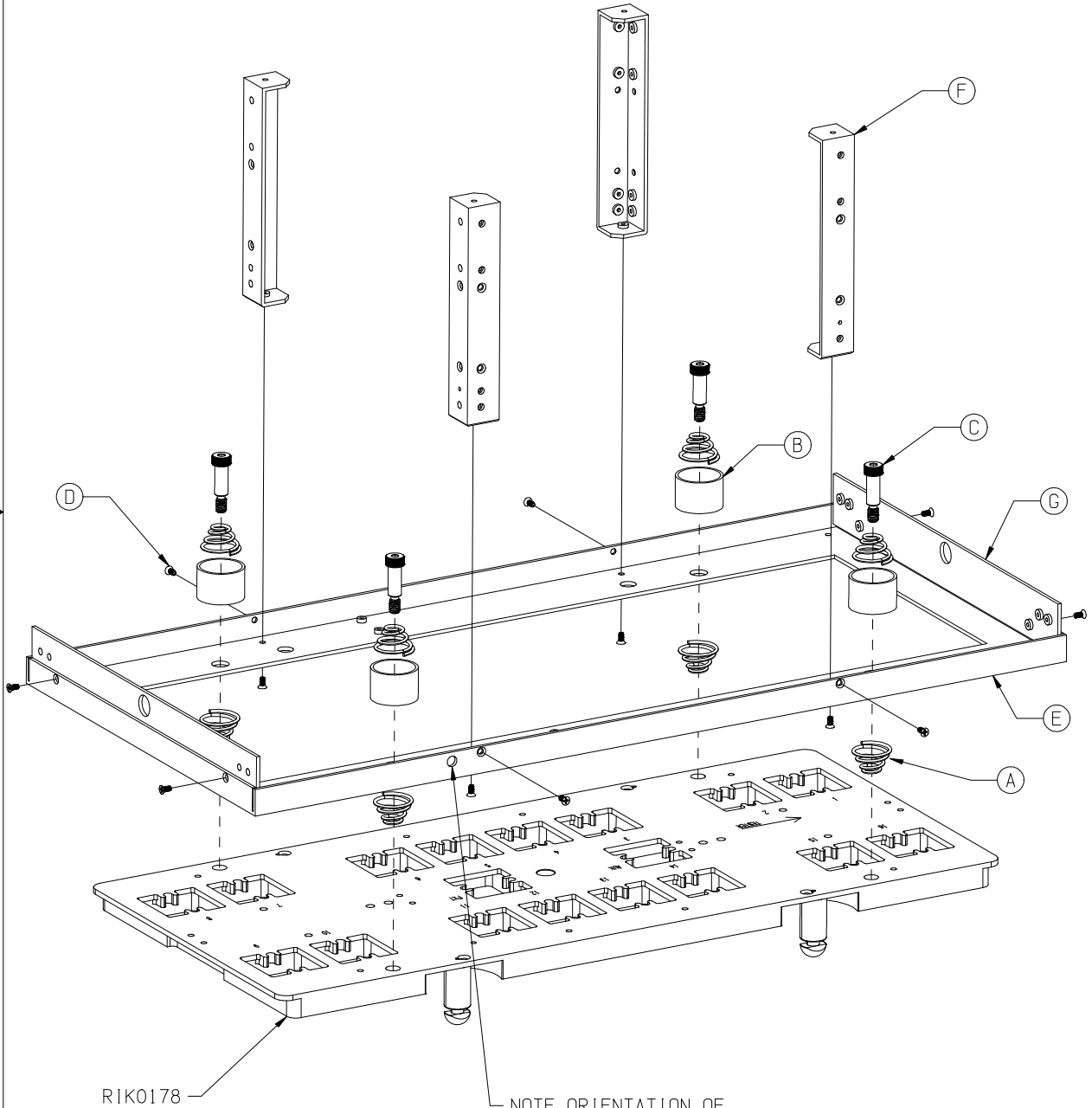


REVISIONS			
REV	DESCRIPTION	DATE	APPROVED
A	INITIAL RELEASE	07-01-21	JC



RIK0178

NOTE ORIENTATION OF HOLE FOR "IF OUT"

TOLERANCE:
 .XX ±.01
 .XXX ±.005
 BEND TO BEND ±.02
 BEND TO HOLE ±.015
 HOLE TO HOLE ±.005
 MACHINED SURFACES 63
 ALL DIMS IN INCHES

Roos Instruments	
RIK0302A OPEN FRAME FXT	
THIRD ANGLE PROJECTION	RI P/N MXLVMK4A
RI CONFIDENTIAL AND PRIVILEGED INFORMATION SHEET 1 OF 1	