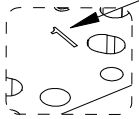


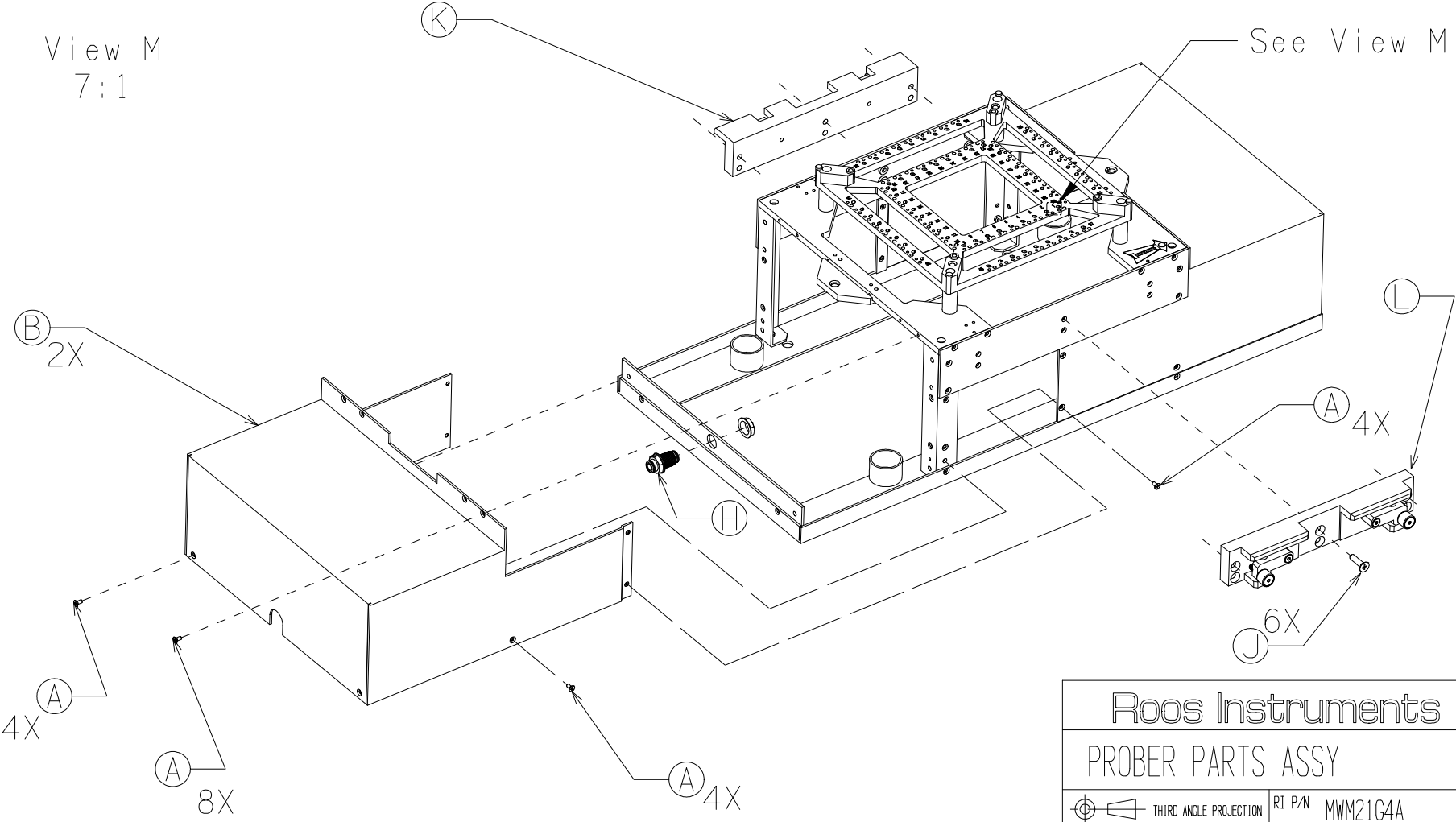
REVISIONS			
REV	DESCRIPTION	DATE	APPROVED
A	INITIAL RELEASE	7-09-20	RAR

NOTE POSITION 1
ON ENGAGE PLATE



View M
7:1

See View M



Roos Instruments

PROBER PARTS ASSY

THIRD ANGLE PROJECTION RI P/N MWM21G4A

RI CONFIDENTIAL AND PRIVILEGED INFORMATION SHEET 2 OF 2