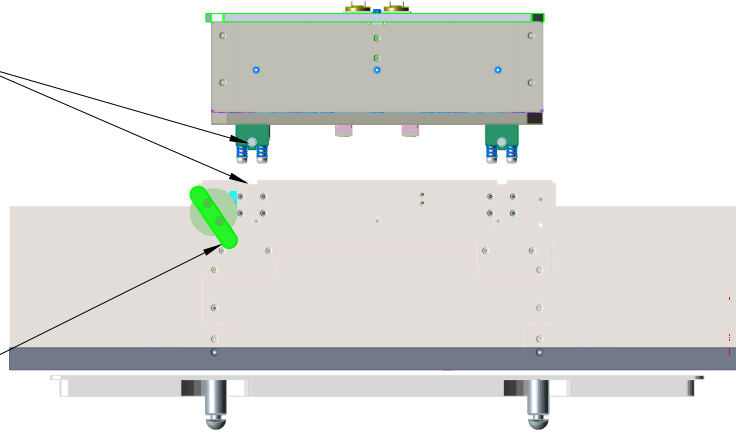


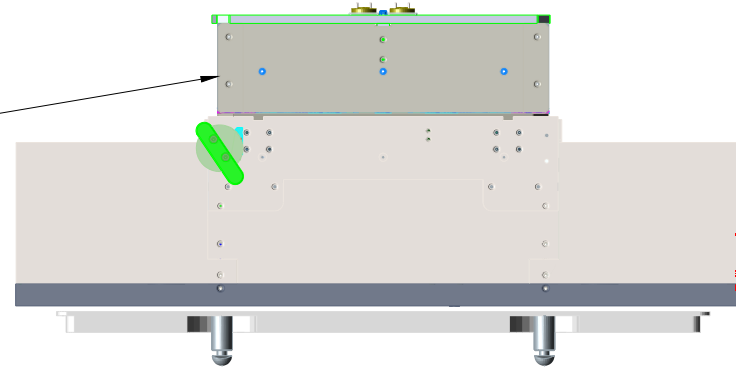
RIK0330A TOP HAT STIFFENER ATTACHMENT /REMOVAL

LINE UP DOCKING ROLLERS TO NOTCHES

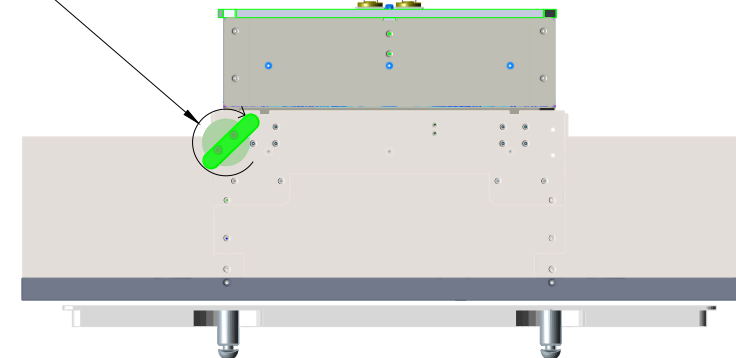


LONG END OF HANDLE IS AT 5:00 O'CLOCK POSITION WHEN OPEN TO RECEIVE STIFFENER/TOPHAT

ALIGN ARROWS ON PLATES AND FIXTURE PLACE STIFFENER/TOPHAT INTO FIXTURE



TURN HANDLE CLOCKWISE UNTIL STIFFENER/TOPHAT IS EVENLY PULLED DOWN. HANDLE SHOULD SNAP CLOSED AT THE 1:00 POSITION



TO REMOVE STIFFENER/TOPHAT: PUSH HANDLE IN AND TURN COUNTER CLOCKWISE UNTIL 5:00 POSITION. LIFT OUT

