



# Replacing RIK0058A with the RIK0220A SPDT Switches

Revised: 05/13/2013 - 05/14/2013

Topic(s): Fixture

Doc ID:DFES-97NLXV

Author: Don Ferris

Categories: Fixture, Module Testing, Modules & RIKs

Ver: 16

Since the RIK0220A replaces the RIK0058A, the fixture assembly documentation must be updated to reflect the new Jumper locations due to a physical layout change on the board which swapped the throw sides of the switch. The programming logic remains the same, only the cable connections and J switch identities change.

NOTE: This swap can only be done on fixtures having RIK0200A RIFL carriers or higher (3.5v max on DS lines).

## What to Do:

1. Move/Swap cables to appropriate ports:
  - Cable on J1 RIK0058A moves to J2 on RIK0220A (Switch 1)
  - Cable on J2 RIK0058A moves to J3 on RIK0220A (Switch 1)
  - Cable on J3 RIK0058A moves to J1 on RIK0220A (Switch 1 Common)
  - Cable on J4 RIK0058A moves to J5 on RIK0220A (Switch 2)
  - Cable on J5 RIK0058A moves to J6 on RIK0220A (Switch 1)
  - Cable on J6 RIK0058A moves to J4 on RIK0220A (Switch 2 Common)
2. Do not use "J" switch port designators in the fixture definition, use logical path names instead like "DutP4Rf3".

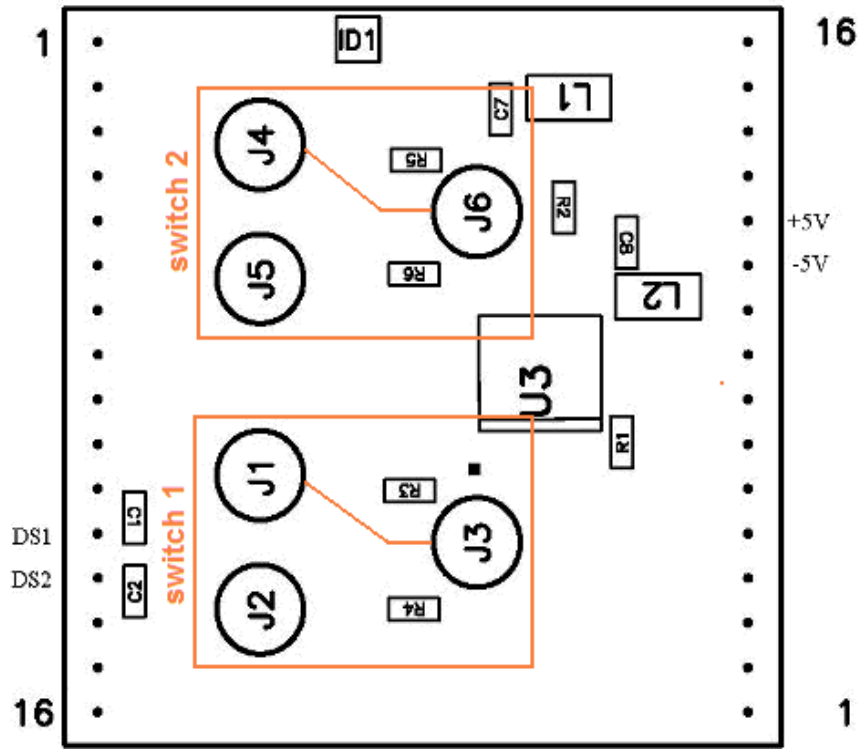
## Reference Documents

Path Equivalency:

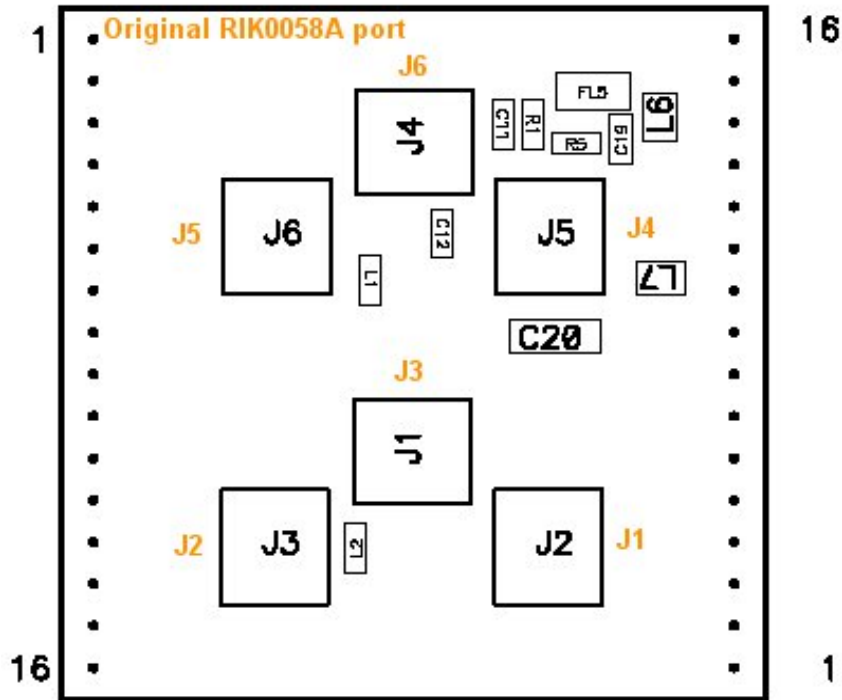
RIK0058A	Code String		RIK0220A	Code String
J3 Common - J1	X1XX		J1 Common - J2	X1XX
J3 Common - J2	X0XX		J1 Common - J3	X0XX
J6 Common - J4	1XXX		J4 Common - J5	1XXX
J6 Common - J5	0XXX		J4 Common - J6	0XXX

**Top View**  
**RIK0058A**

Replacing RIK0058A with the RIK0220A SPDT Switches



RIK0220A



### RIK0058A SPDT Switch Pin Out

Pin#	Function	DS1	DS2	Connector Type
P2:12	+5V			Header Pin
P2:11	-5V			Header Pin
P1:12	DS1			Header Pin
P1:13	DS2			Header Pin
J1	SW2 NC	X	1	MCX Female
J2	SW2 NO	X	0	MCX Female
J3	SW2 POLE			MCX female
J4	SW1 NC	1	X	MCX Female
J5	SW1 NO	0	X	MCX Female
J6	SW1 POLE			MCX Female

### RIK0220A SPDT Switch Pin Out

Pin#	Function	DS1	DS2	Connector Type
P2:12	+5V			Header Pin
P2:11	-5V			Header Pin
P1:12	DS1			Header Pin
P1:13	DS2			Header Pin
P1:14	DS3			Header Pin
P1:15	DS4			Header Pin
P1:16	Grnd			Header Pin
J1	SW1 Common			MCX F
J1-J2		X	1	MCX F
J1-J3		X	0	MCX F
J4	SW2 Common			MCX F
J4-J5		1	X	MCX F
J4-J6		0	X	MCX F

**ROOS INSTRUMENTS CONFIDENTIAL AND PROPRIETARY**

©2014 Roos Instruments, Inc. All rights reserved.