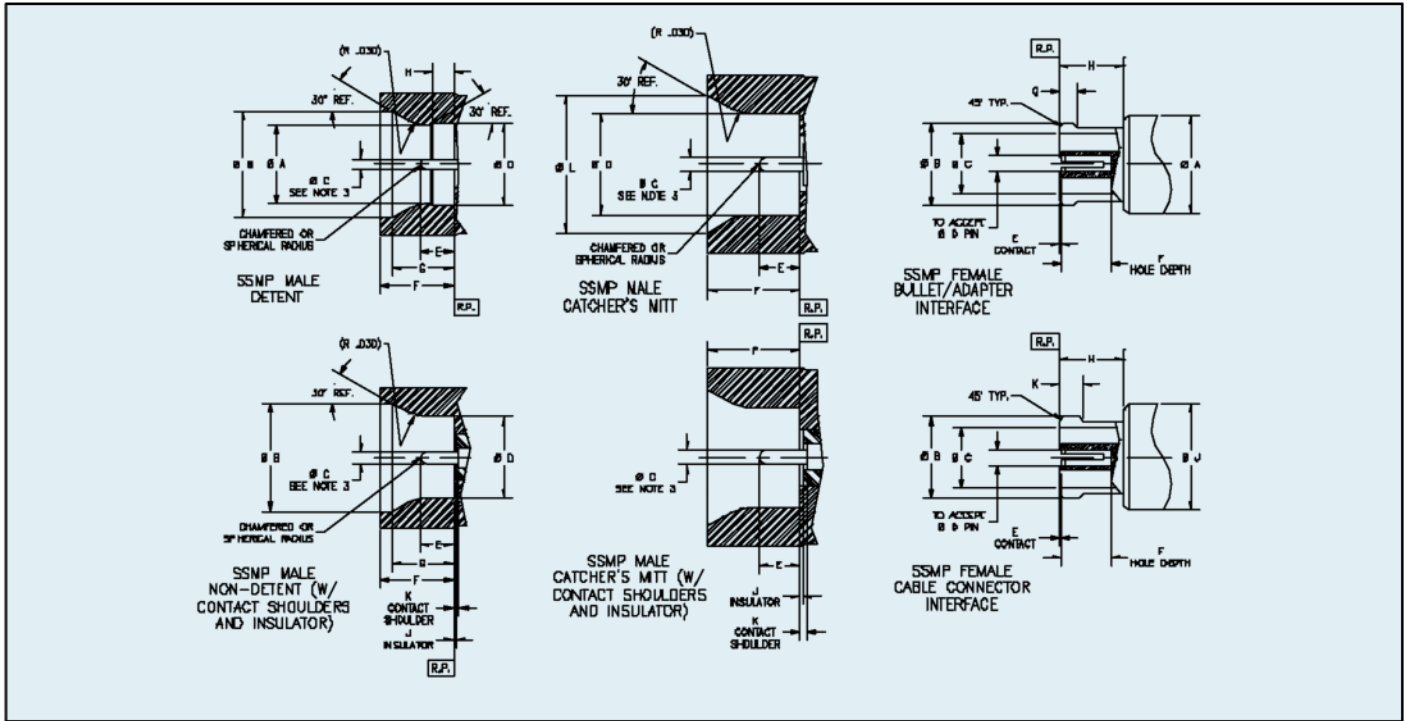


SSMP Series

SSMP



SSMP Interface Mating Dimensions (Per MIL-STD-348)



MALE

LTR	Minimum		Maximum	
	in	mm ²	in	mm ²
∅ A	----	----	.085	2.16
∅ B	.113	2.87	----	----
∅ C ³	.011	0.28	.013	0.33
∅ D	.086	2.18	----	----
E	.030	0.76	.045	1.14
F	----	----	.084	2.13
G	----	----	.069	1.75
H	.021	0.53	----	----
J ⁴	.000	0.00	-.006	-0.15
K ⁵	.000	0.00	-.006	-0.15
∅ L	.130	3.30	----	----

FEMALE

LTR	Minimum		Maximum	
	in	mm ²	in	mm ²
∅ A	----	----	.109	2.77
∅ B	----	----	.095	2.41
∅ C	.063	1.60	----	----
∅ D	.011	0.28	.013	0.33
E ⁵	.000	0.00	-.006	-0.15
F	.050	1.27	----	----
G	----	----	.021	0.53
H	.068	1.73		
∅ J	----	----	.112	2.84
K	----	----	.028	0.71

Note(s):

- Dimensions are in inches.
- Metric equivalents (to the nearest 0.01mm) are given for general information only and are based on 1 inch = 25.4 millimeters.
- Pin is not supplied with shroud.
- Dielectric insulator gap is measured from connector body reference plane .000 in. max. above (flush) to .006 in. max. below.
- Contact gap is measured from connector body reference plane .000 in. max. above (flush) to .006 in. max. below.

The specifications below are general specifications for all SSMP™ connectors. Specific specifications for VSWR, insertion loss, and RF leakage for each connector is

available from the factory upon request. Specifications in the following table are recommended for any procurement documents or drawings.

Requirement	Specifications
General	
Material	Steel corrosion resistant per ASTM A-582, 300 Series, AMS 5567, AMS 5370 Brass Alloy per ASTM B-16 Beryllium copper per ASTM B-196 or B-197 PTFE Fluorocarbon per ASTM D-1457 Silicone Rubber per ZZ-R-765, CLASS IIB. 50-60 Shore.
Finish	Center contacts shall be gold plated to a minimum thickness of .00005-inch in accordance with ASTM B-488, Type 3, Code C or D over nickel underplate. All other metal parts shall be finished so as to provide a connector which meets the corrosion requirements of this table.
Design	The design shall be such that the outline dimensions in this catalog are met. In addition, the assembled connector shall meet the interface dimensions. Dimensions are reference only unless stated.
Electrical	
Insulation Resistance	The insulation resistance shall not be less than 5,000 megohms.
Dielectric Withstanding Voltage	Refer to applicable military slash sheet or consult factory.
RF High Potential Withstanding Voltage	Refer to applicable military slash sheet or consult factory.
Contact Resistance	Refer to applicable military slash sheet or consult factory.
Voltage Standing Wave Ratio (VSWR)	Refer to applicable military slash sheet or consult factory.
RF Leakage	Refer to applicable military slash sheet or consult factory.
Insertion Loss	Refer to applicable military slash sheet or consult factory.
Corona Level	Refer to applicable military slash sheet or consult factory.
Mechanical	
Force to Engage and Disengage	9 lbs. max engage, 4 lbs. min. withdrawal
Misalignment	+/- .012 Radial, .000/.007 Axial
Cable Retention Force	Consult factory.
Mating Characteristics	Female only: 1/4 oz. min. withdrawal with .0110 -.0000/+.0002 diameter pin.
Connector Durability	100 min. insertion and withdrawal with detent male. 5000 min. insertion and withdrawal with non-detent male.
Environmental	
Vibration	Specification MIL-STD-202, Method 204, Test Condition D.
Shock	Specification MIL-STD-202, Method 213, Test Condition I.
Thermal Shock	Refer to applicable military slash sheet or consult factory.
Corrosion (Salt Spray)	Specification MIL-STD-202, Method 101, Test Condition B. No measurement at high humidity.
Moisture Resistance	Specification MIL-STD-202, Method 106. No measurement at high humidity. Insulation resistance shall be 200 megohms min. within 5 minutes after removal from humidity.

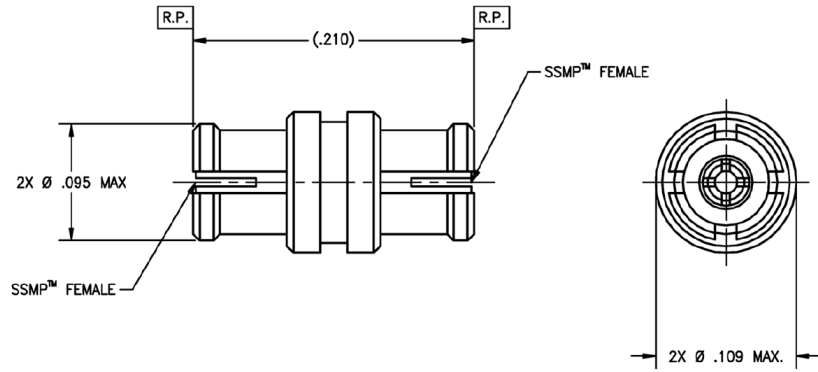
Complete specifications on every connector in this catalog are available from the factory.

SSMP In-Series Adapters

Center conductor is captivated.
Standard units are gold finish.

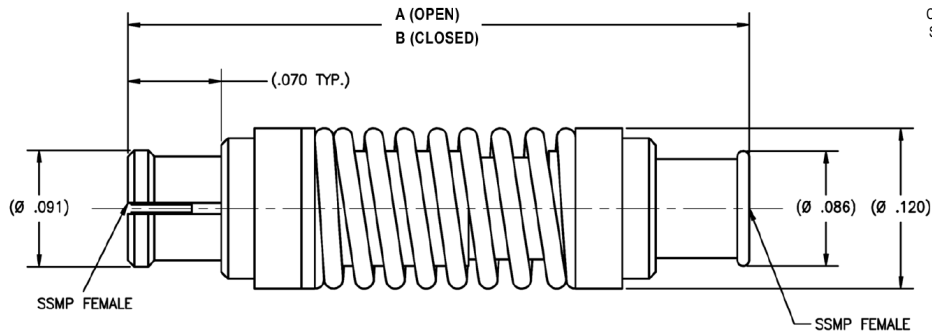
P101-1CC

SSMP female straight to female adapter



P138-1CC

SSMP female spring loaded straight to female adapter



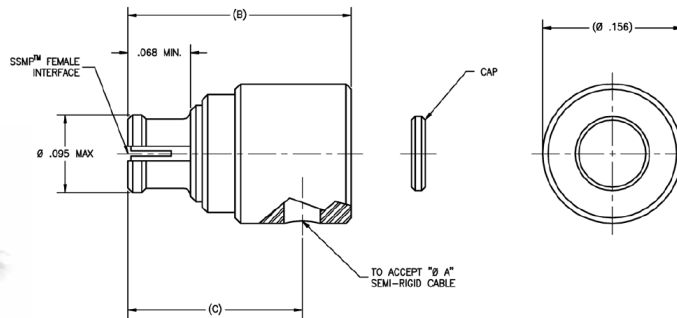
Tensolite Part No.	(A)	(B)
P138-1CC	.515	.465

Center conductor is captivated.
Standard units are gold finish.

SSMP Semi-Rigid Cable Connectors

P105

SSMP female right angle to Semi-Rigid cable

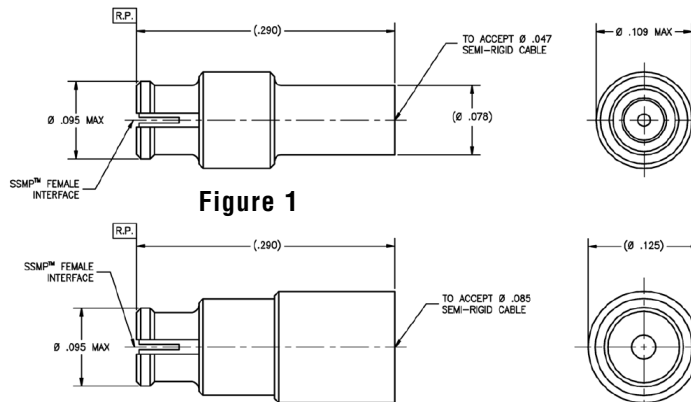
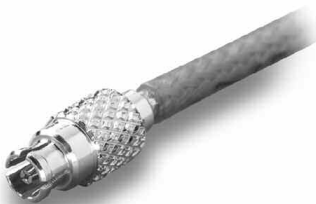


Tensolite Part No.	Ø A	(B)	(C)
P105-1CC	.047	.250	195
P105-2CC	.085	.250	195
P105-3CC	.047 L/L	.178	126

Center conductor is captivated.
Standard units are gold finish.

P107

SSMP female straight to Semi-Rigid cable



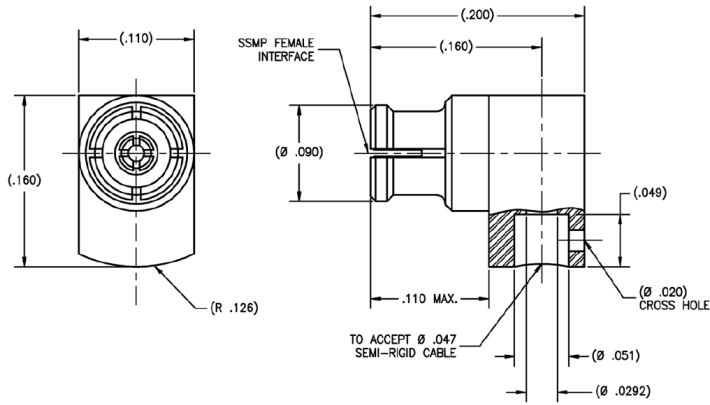
Tensolite Part No.	Applicable Figure
P107-1CC	1
P107-2CC	2

Center conductor is captivated.
Standard units are gold finish.

SSMP Semi-Rigid Cable Connectors

P14 8-1CC

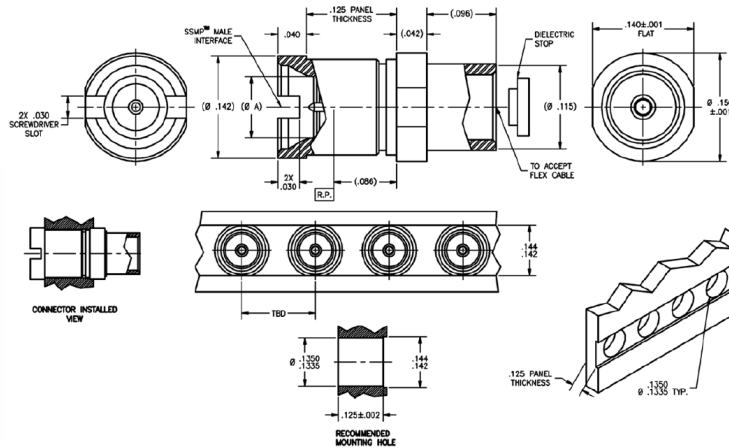
SSMP female
right angle to
Ø .047 S/R cable



Center conductor is captivated.
Standard units are gold finish.

P156

SSMP male
bulkhead mount
straight to flex
cable



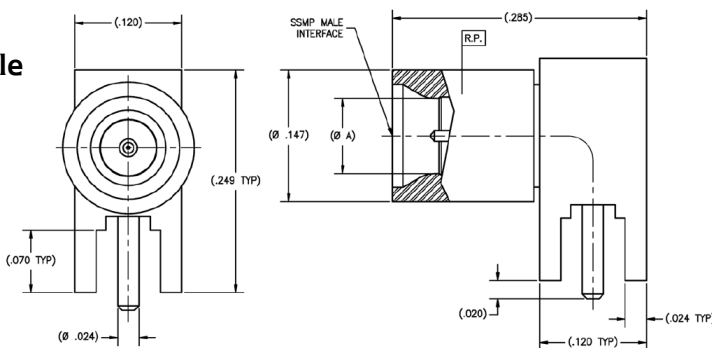
Tensolite Part Number	Interface	(Ø A)
P156-1CCSF	Detent	(.085)
P156-2CCSF	Non-Detent	(.088)

Center conductor is captivated.
Standard finish is passivated.

SSMP Circuit Board Connectors

P303

SSMP male right angle
to PCB mount

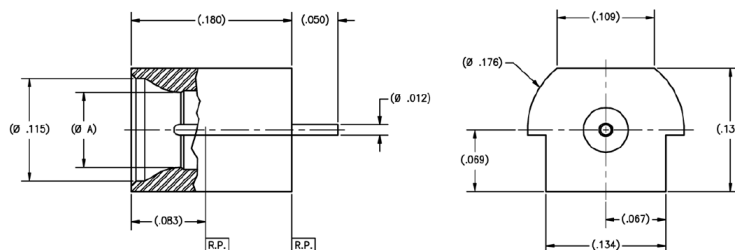


Tensolite Part Number	Interface	(Ø A)
P303-1CC	Detent	(.085)
P303-2CC	Smooth Bore	(.088)

Center conductor is captivated.
Standard units are gold finish.

P319

SSMP male PCB edge
mount to straight
termination



Tensolite Part No.	(Ø A)	Interface
P319-1CC	(.088)	Detent
P319-2CC	(.085)	Smooth bore

Center conductor is captivated.
Standard units are gold finish.

SSMP Semi-Rigid Cable Connectors,
Circuit Board Connectors

P122

SSMP male to straight termination (hermetic seal)

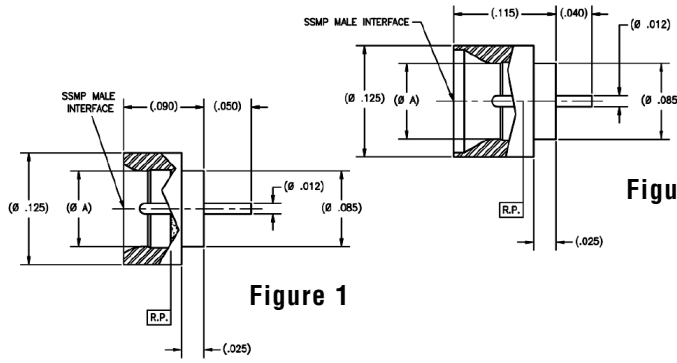


Figure 1

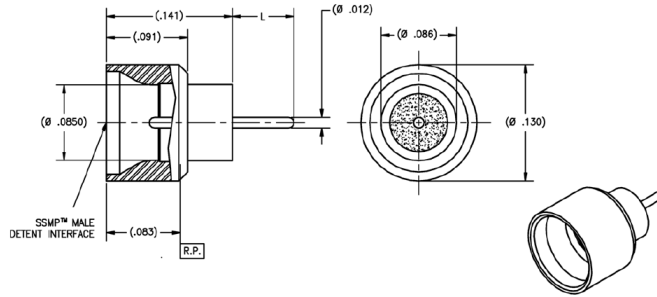
Figure 2

Tensolite Part No.	Interface	Ø A	Fig.
P122-1CC	Detent	.085	1
P122-2CC	Smooth Bore	.088	1
P122-3CC	Detent	.085	2
P122-4CC	Smooth Bore	.088	2

Center conductor is captivated.
Standard units are gold finish.

P154

SSMP male detent straight solder in hermetic



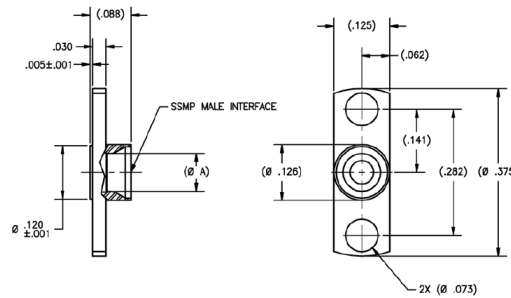
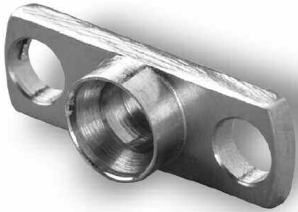
Tensolite Part No.	(L)
P154-1CC	(.030)
P154-7CC	(.060)
P154-13CC	(.090)
P154-17CC	(.110)
P154-21CC	(.130)

Center conductor is captivated.
Standard units are gold finish.
Other pin lengths (L) available, contact factory.

SSMP Shrouds

P203

SSMP male 2 hole flange mount shroud



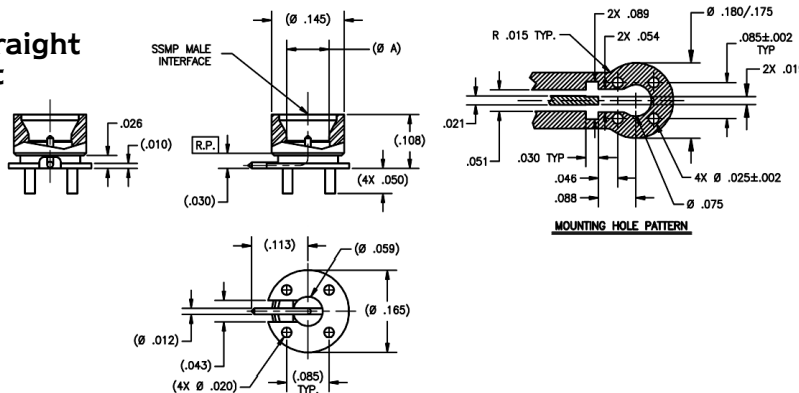
Tensolite Part Number	Interface	(Ø A)
P203-1SF	Full Detent	.085
P203-2SF	Smooth Bore	.088

Standard finish is passivated.

SSMP Surface Mount Connectors

P308

SSMP male straight surface mount

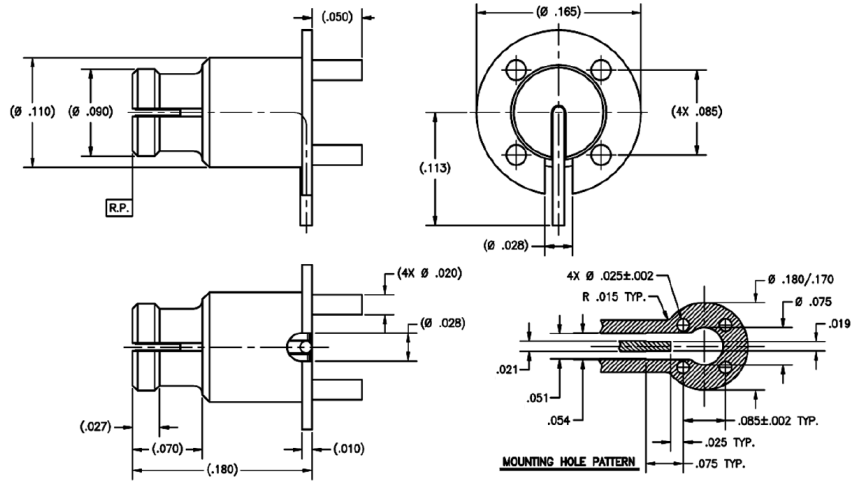


Tensolite Part Number	Interface	(Ø A)
P308-1CC	Detent	.085
P308-2CC	Non-Detent	.088

Center conductor is captivated.
Standard units are gold finish.

SSMP Surface Mount Connectors

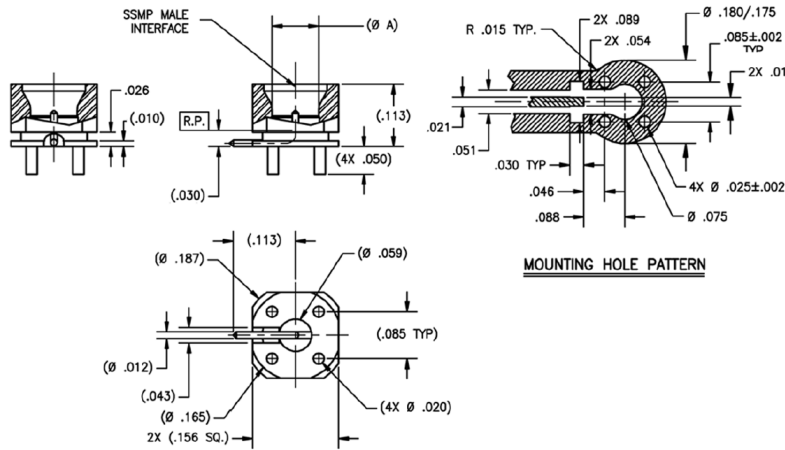
P310-1CC SSMP female right angle surface mount



Center conductor is captivated.
Standard units are gold finish.

SSMP Surface Mount Connectors,
& Terminations

P311 SSMP male straight surface mount

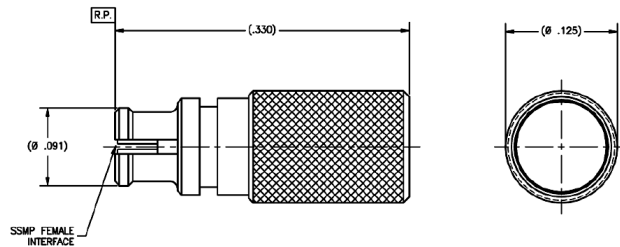


Tensolite Part Number	Interface	($\varnothing A$)
P311-1CC	Detent	.085
P311-2CC	Non-Detent	.088

Center conductor is captivated.
Standard units are gold finish.

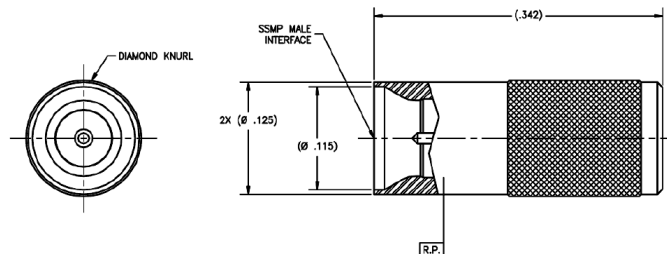
SSMP Terminations

P109-1CC SSMP female straight to 50 Ohm termination



Center conductor is captivated.
Standard units are gold finish.

P110 SSMP male straight to 50 Ohm termination



Tensolite Part No.	Interface(s)
P110-1CCSF	Detent
P110-2CCSF	Smooth Bore

Standard finish is passivated.

